

Fitting Instructions



SKU

PRODUCT

T4T640

**TAG Heavy Duty Towbar to suit
Toyota Hilux (01/2015 - on)**



Scan for latest
version of these
instructions

SPECIFICATIONS

- Towbar Class: Heavy Duty
- Towing Capacity: 3500kg

IN THIS GUIDE

- Fitment Instructions
- Torque Settings
- Warranty Info

Towbar Fitting Instructions



Step-By-Step Instructions

Warning:

Safety First: Always use correct safety equipment.

This towbar is NOT to be drilled, cut, welded or modified in any way.

Check the surrounding area before drilling into chassis or body panels for fuel lines, wiring harnesses and other components that may be a hazard.

General:

Before fitting this towbar read fitting instructions and check installation hardware is correct.

Check that the towbar is suitable for the vehicle and be wary of any changes to the vehicle design that may conflict with the fitting of this towbar.

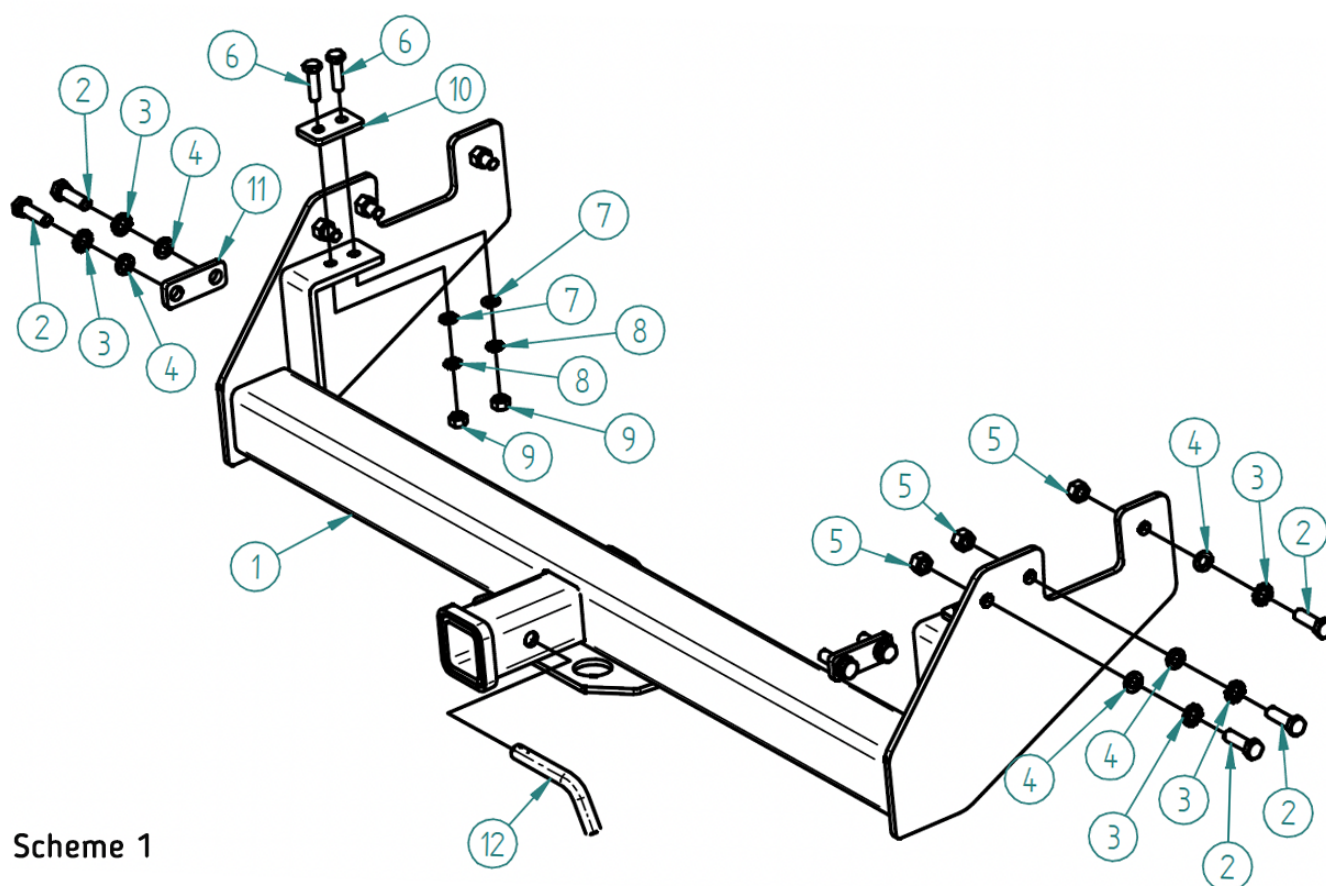
After drilling, blow any filings clear, remove any swarf and treat exposed metal with a rust inhibitor.

If this vehicle requires a bumper cut out, please check to make sure that you measure twice and check twice before cutting any panels as some bumper profiles can change.

If you are not sure then ask your towbar supplier.

Tighten all bolts as specified on the table in this document.

Towbar Fitting Instructions



Scheme 1

NB! Discard supplied M12 nuts

T4T640 Hardware KIT	
Item	Quantity
1. Towbar	1
2. M12 x 35 x 1.25 pitch bolt	10
3. M12 shakeproof washer	10
4. M12 flat washer	10
5. M12 x 1.25 pitch nut	10
6. M10 x 35 x 1.25 pitch bolt	4
7. M10 shakeproof washer	4
8. M10 flat washer	4
9. M10 x 1.25 pitch nut	4
10. Top plate	2
11. Spacer plate	2
12. Class 4 pin	1
13. Clip for Class 4 pin	1
14. L4045 ballmount	1
15. Compliance plate	1
16. Door sticker	1

Towbar Fitting Instructions



1.

1.1 Remove bumper brackets fitted to the chassis rail as shown on Pic.1 and discard fasteners

1.2 Remove bumper bar



Pic.1

2.

2.1 Slide the towbar up against the chassis rails and insert the fasteners as shown on Pic.2 and Scheme 1



Pic.2

3.

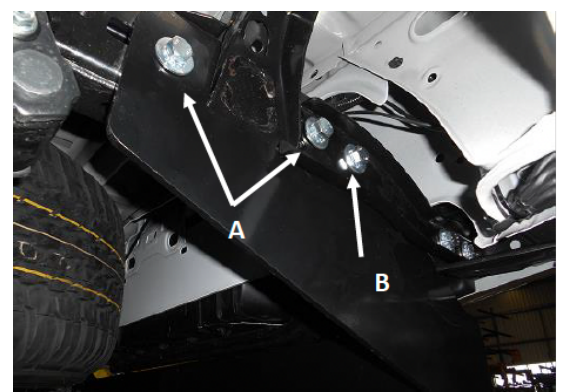
3.1 Remove and discard bumper bracket bolts fitted to the bumper bar as shown on Pic.3. Use Spacer plates (Item 11. in the Hardware KIT) to widen the bumper brackets. Use supplied fasteners.



Pic.3

4.

4.1 Before refitting the bumper bar insert fasteners A loosely as shown on Pic.4 and Scheme 1. Slide bumper bar brackets against the towbar endplate and insert fastener B. Do all bolts up finger tight first and then tighten those as specified on the torque table.



Pic.4

Towbar Fitting Instructions



5.

5.1 Fit supplied compliance plate to the towbar and door sticker inside of the driver's door pillar

5.2 Fit supplied L4045 ball mount to the towbar

Torque table for bolt tightening

Metric GRADE 8.8	UNC GRADE 8
M6 – 12.5 Nm	3/8 – 50 Nm
M8 – 30 Nm	1/2 – 125 Nm
M10 – 60 Nm	5/8 – 245 Nm
M12 – 103 Nm	
M14 – 167 Nm	
M16 – 270 Nm	

Towbar Fitting Instructions



TAG Warranty Statement

SWD warrants your TAG Towbar for its full product life under the following conditions:

- You can show proof of purchase.
- The towbar has been correctly installed by a suitably qualified installer.
- The towbar has not been modified or abused in any way and has only been used for the purpose intended.
- The towbar was not fitted second hand to your vehicle.

The extent of this warranty includes materials and workmanship used in the manufacture of the towbar and is to the equivalent value of current, full replacement cost.

Nothing stated or implied in this warranty limits in any way, the statutory rights that you may have.

To make a claim visit the original installer in the first instance or, if you are unable to or are not satisfied with their help, then contact us direct by phone on 1300 669122 or visit www.swd.com.au