

# Fitting Instructions



## SKU

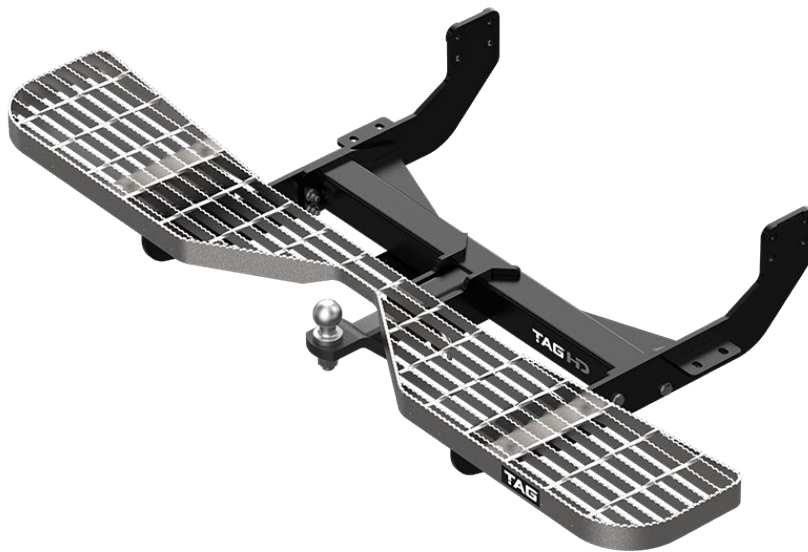
**T7F781**

## PRODUCT

# TAG Rear Step with Heavy Duty Towbar for Ford Transit (02/2014 - on)

## SPECIFICATIONS

- Towbar Class: CL 4 Heavy Duty
- Towing Capacity: 3500kg
- Tow ball Weight: 350kg
- Approx. Fitment Time: 60 Minutes



Scan for latest version of these instructions

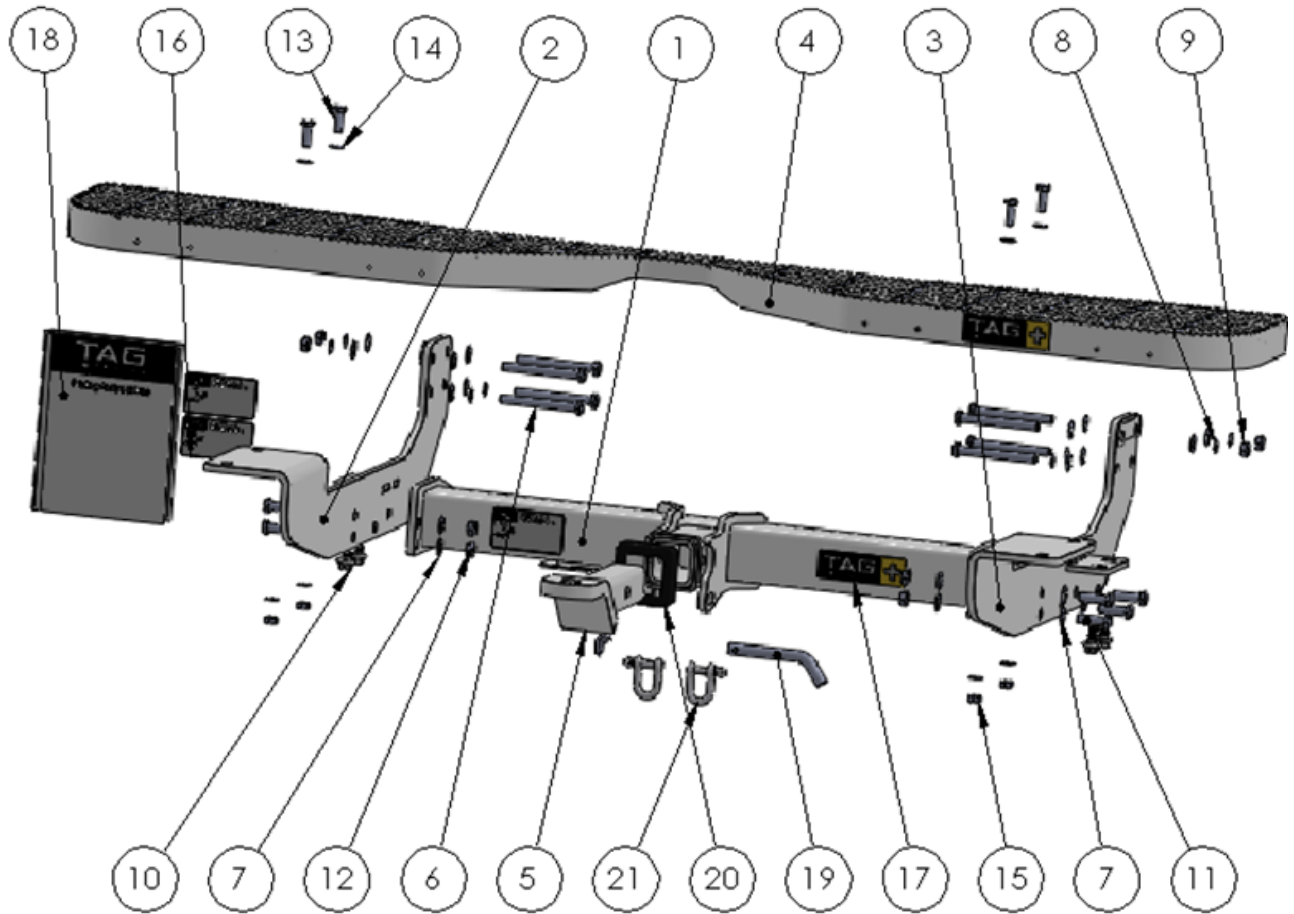
## TOOLS REQUIRED

- Spanners
- Sockets
- Torque Wrench

## IN THIS GUIDE

- Fitment Instructions
- Torque Settings
- Warranty Info

# Towbar Assembly



ITEM NO.	DESCRIPTION	QTY.	ITEM NO.	DESCRIPTION	QTY.
1	Welded Assembly for T7F780	1	12	M12 x 1.25 Nut	8
2	Welded End Plate Assembly PS	1	13	M10 x 1.25 x 30 Bolt	4
3	Welded End Plate Assembly DS	1	14	M10 Flat Washer	8
4	TAG Rear Step (w/ towbar relief)	1	15	M10 x 1.25 Nut	4
5	L4045 Ball Mount	1	16	TAG Compliance plate	3
6	M12 x 1.75 x 110 Bolt	8	17	TAG HD Sticker 123x38	2
7	M12 Flat Washer	28	18	Fitting Instruction for T7F781	1
8	M12 Shakeproof Washer	8	19	Class 4 Pin & Clip	1
9	M12 x 1.75 Nut	4	20	TAG Hitch Cover	1
10	M12 x 30 TapTite Bolt	4	21	TAG D-Shackle - 10mm, 1000kg	2
11	M12 x 1.25 x 40 Bolt	8			

# Important Information



## Warning:

- This product is for towing purposes only and must only be loaded as shown in your vehicle Owner's Manual.
- This towbar is NOT to be drilled, cut, welded, or modified in any way.
- Check behind chassis rail and body panels before drilling to ensure no hazards are present.
- All load ratings shown are under the assumption your trailer has a functional braking system installed.
- When installed in positions other than the one depicted in these instructions the Tow Ball Mount may interfere or obstruct certain features of your vehicle (tailgate opening, Chassis clearance, etc.)

## General:

- Before fitting this towbar read fitting instructions and check installation hardware is correct.
- Check that the towbar is suitable for the vehicle and be wary of any changes to the vehicle design that may conflict with the fitting of this towbar. (Tray, Canopy, Suspension etc.)
- After drilling, blow any filings clear, remove any burrs and treat exposed metal with a rust inhibitor.
- The high tensile fasteners supplied with this product are an integral feature to achieving the specified rating, if replacement is required ensure that fasteners of the same grade (8.8) & quality are used. Contact an authorised TAG distributor or the TAG fitment center - (07) 3208 3022 - if further information is required.

## Towbar Maintenance and Care:

It is recommended, when not in use, the Tow Ball Mount assembly and class 4 Pin and Clip is stored inside the car away from moisture to prevent standing water from forming rust. Inspect to ensure, on regular basis, fasteners are torqued to the specifications below and in good condition.

Ensure that the fitting instructions are read and understood prior to fitment, Following the fitment place these instructions in the vehicle's glovebox after installation is completed.

*Metric Bolt Torque Settings*

Diameter	Pitch	Grade	Torque	Unit		Diameter	Pitch	Grade	Torque	Unit
M8	1.25	8.8	29	Nm		M12	1.25	10.9	125	Nm
M10	1.25	8.8	57	Nm		M12	1.50	10.9	105	Nm
M10	1.50	8.8	44	Nm		M14	1.25	10.9	195	Nm
M12	1.25	8.8	101	Nm		M14	1.50	10.9	165	Nm
M12	1.50	8.8	97	Nm		M16	1.25	10.9	295	Nm
M12	1.75	8.8	77	Nm		M16	1.50	10.9	250	Nm
M14	2.00	8.8	122	Nm		50mm Tow Ball	N/A	N/A	300	Nm
M16	2.00	8.8	190	Nm		70mm Tow Ball	N/A	N/A	750	Nm

# Installation Instructions



## Step 1: Fit Towbar

- a. Remove 2x M12 bolts from each chassis rail & discard.
- b. Lift PS endplate to the chassis & insert 2x M12x 100 bolts with shakeproof & flat washers into lower holes where original bolts were removed. Insert 2x M12x 100 bolts with washers into top holes & add shakeproof & flat washers & nuts to the outside. Leave loose.
- c. Loosely fasten lower end plate tab to chassis base with 2x M12 TapTite bolts.
- d. Repeat on DS.
- e. Lift main bar up to endplates & insert M12x45 bolts with washers & nuts. Leave loose.
- f. Place step on end plates and insert M10x30 bolts with washers. Loosely fasten with M10 nuts & washers.
- g. Tighten M12x100 bolts on side of chassis.
- h. Tighten TapTite bolts in bottom of chassis.
- i. Tighten M12x40 bolts on main bar.
- j. Tighten M10 bolts on step.



# Installation Instructions



---

## Step 2: Complete Towbar & Apply Spare Compliance Label

---

- a. Attach TAG Hitch cover with rubber mallet carefully to prevent breaking.
- a. Attach Tow ball to Ball Mount and slide hitch into towbar and secure with Pin and Clip if you are going to tow straight away, alternatively secure Ball Mount in a safe place inside your car.
- b. Apply one of the compliance labels to the pillar of the driver's door. Leave the remaining label and the fitting instructions in the vehicle handbook.



# TAG Warranty Statement



SWD warrants your TAG Towbar for its full product life under the following conditions:

- You can show proof of purchase.
- The towbar has been correctly installed by a suitably qualified installer.
- The towbar has not been modified or abused in any way and has only been used for the purpose intended.
- The towbar was not fitted second hand to your vehicle.

The extent of this warranty includes materials and workmanship used in the manufacture of the towbar and is to the equivalent value of current, full replacement cost.

Nothing stated or implied in this warranty limits in any way, the statutory rights that you may have.

To make a claim visit the original installer in the first instance or, if you are unable to or are not satisfied with their help, then contact us direct by phone on 1300 669122 or visit [www.swd.com.au](http://www.swd.com.au).

# Fitting Instructions



SKU

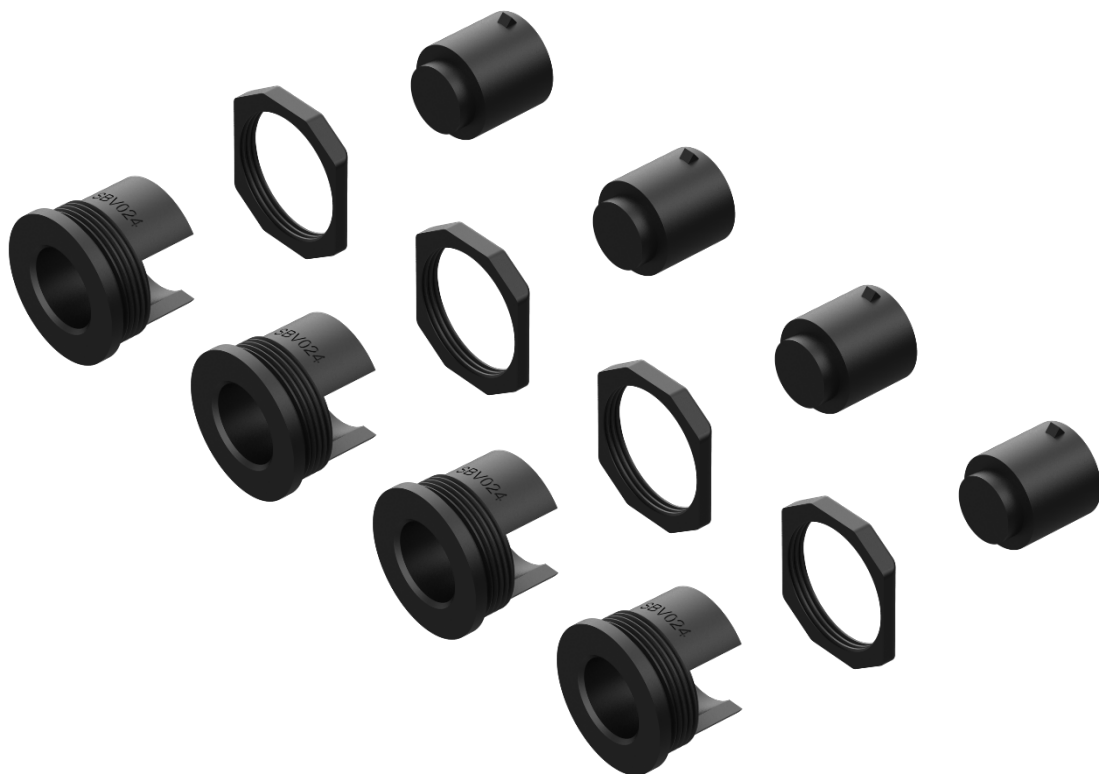
**RSM024**

PRODUCT

**Reverse Sensor Mounting Kit**

SPECIFICATIONS

- Approx. Fitment Time: 45 Minutes
- Suits: Ford Transit / Transit Custom, VW Transporter T6 / Crafter, Mercedes Sprinter / Vito, Renault Master / Trafic, Mitsubishi Express



TOOLS REQUIRED

- No Tools Required

IN THIS GUIDE

- Fitment Instructions



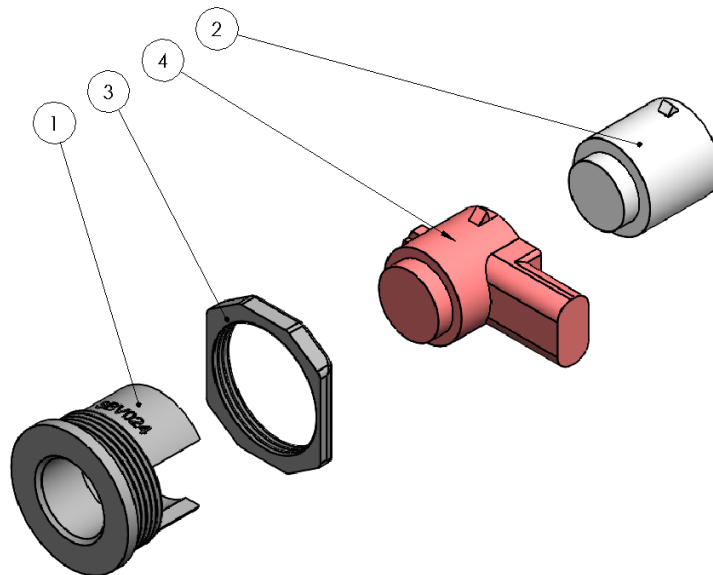
# Important Information



## Warning:

- This kit is designed to relocate the RPA (Reverse Park Assist) sensors from the vehicle bumper bar to the TAG galvanized step (TRS002 or TRS001).
- It is recommended that the sensor(s) be mounted to the TAG step in the exact orientation they were mounted in the OEM bumper.
- The installation of this kit may require the OEM sensor harness to be elongated to reach the new sensor location. Should the harness(s) need elongation it is suggested that new connections be made by stripping the wires attaching the extension wires by solder.
- The bumper plugs provided are to fill the hole in the OEM bumper where the sensor was removed.
- Contact an authorised TAG distributor or the TAG fitment center - (07) 3208 3022 - if further information is required.

ITEM NO.	DESCRIPTION	QTY.
1	Sensor Collar	4
2	Blanking Plug for Bumper	4
3	Collar Nut	4
4	Reverse Sensor <b>(Not Included)</b>	





---

## Reverse Sensor Mount Instruction.

---

1. Insert sensor collar into hole of TAG step Fasten the collar with the collar nut against the inside face of the step.
2. Insert the sensor into the collar until an audible click is heard.
3. Adjust the orientation of the sensor collar if necessary.
4. If possible, route the sensor harness on the adjacent cable rail and tie off with cable ties.

