

Fitting Instructions



SKU

T7P725

PRODUCT

TAG Heavy Duty Towbar to suit Volkswagen Transporter (04/2003 - on), Multivan (06/2005 - 06/2020), Transporter / Caravelle (04/2003 - 12/2015), Kombi (07/2006 - 2009), Caravelle (2002 - 2018)



Scan for latest version of these instructions

SPECIFICATIONS

- Towbar Class: Heavy Duty
- Towing Capacity: 2500kg

IN THIS GUIDE

- Fitment Instructions
- Torque Settings
- Warranty Info

Towbar Fitting Instructions



Step-By-Step Instructions

Warning:

- This product is for towing purposes only and must only be loaded as shown in your vehicle Owner's Manual.
- This towbar is NOT to be drilled, cut, welded, or modified in any way.
- Check behind chassis rail and body panels before drilling to ensure no hazards are present
- All load ratings shown are under the assumption your trailer has a functional braking system installed
- When installed in positions other than the one depicted in these instructions the Tow Ball Mount may interfere or obstruct certain features of your vehicle (tailgate opening, Chassis clearance, etc.)

General:

- Before fitting this towbar read fitting instructions and check installation hardware is correct.
- Check that the towbar is suitable for the vehicle and be wary of any changes to the vehicle design that may conflict with the fitting of this towbar. (Tray, Canopy, Suspension etc.)
- After drilling, blow any filings clear, remove any swarf and treat exposed metal with a rust inhibitor.
- The high tensile fasteners supplied with this product are an integral feature to achieving the specified rating, if replacement is required ensure that fasteners of the same grade (8.8) & quality are used. Contact an authorised TAG distributor or the TAG fitment centre - (07) 3208 3022 - if further information is required.

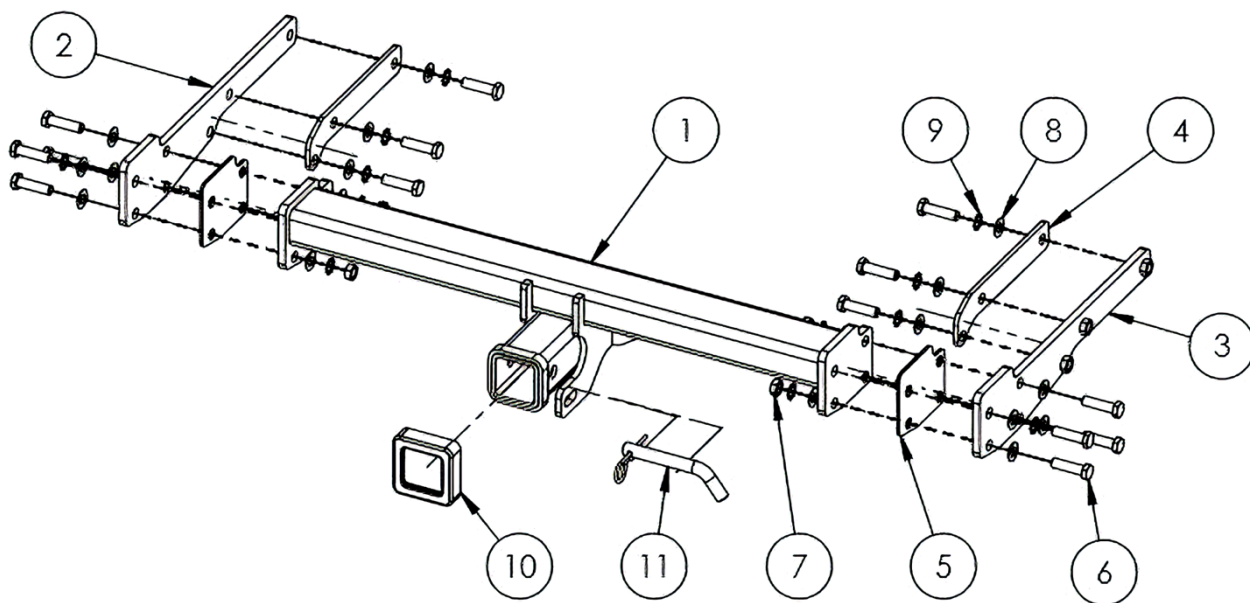
Towbar Maintenance and Care:

It is recommended, when not in use, the Tow Ball Mount assembly and class 4 Pin and Clip is stored inside the car away from moisture to prevent standing water from forming rust. Inspect to ensure, on regular basis, fasteners are torqued to the specifications below and in good condition.

Ensure that the fitting instructions are read and understood prior to fitment

Place these instructions in the vehicle's glovebox after installation is completed

Towbar Fitting Instructions



Tools Required: Spanners, Sockets, Torque Wrench, Torx head Screwdriver, Air saw or similar

Kit Contents					
Item No.	Description	Qty	Item No.	Description	Qty
1.	Towbar Centre Section	1	8.	M12 Flat Washer	20
2.	End Plate Subassembly PS	1	9.	M12 Shake Proof Washer	14
3.	End Plate Subassembly DS	1	10.	Hitch Collar Cover	1
4.	Chassis Plate	2	11.	Pin & Clip	1
5.	Spacer 3mm	2	-	D-Shackles	2
6.	M12x1.25x45 Bolt	14	-	Compliance Sticker	1
7.	M12x1.25 Nut	6	-	-	-

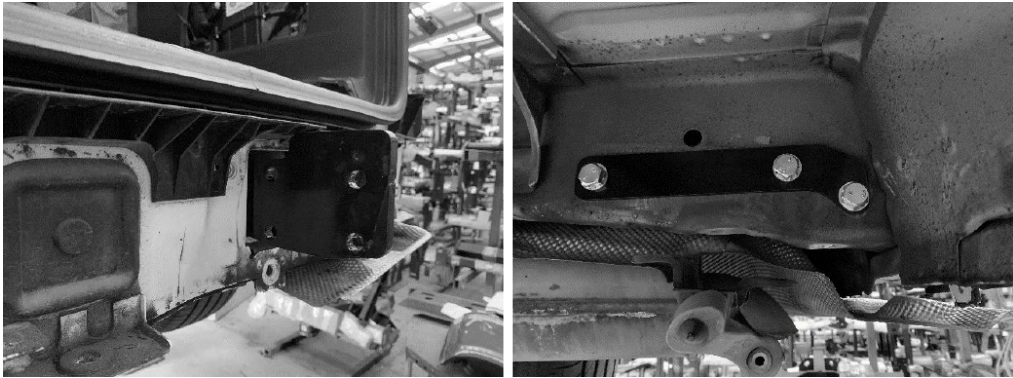
Towbar Fitting Instructions

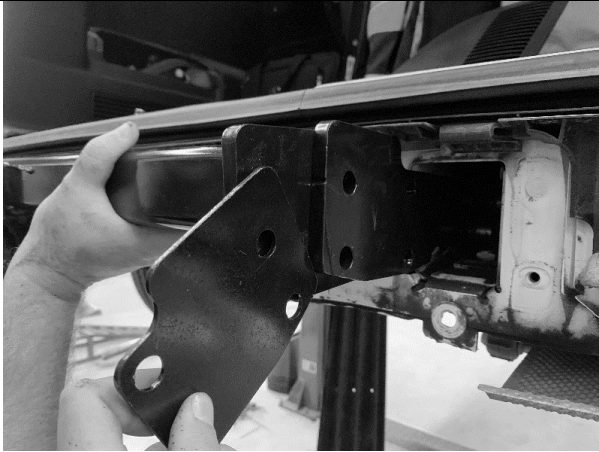


Step 1	Remove Rear Bumper		
Instructions	Tools	Fasteners/Torques	
<p>Remove the rear bumper:</p> <ul style="list-style-type: none"> • Open Tail Gate and unclip any wiring attached to the rear bumper. • Remove 2x Torx screws securing each taillight, and push taillights outwards to remove. • Remove 2x Push Rivets securing the bumper from behind the taillights on each side. • Remove 2x Torx screws from inside the rear of each wheel arch. • Underneath the vehicle remove 2x screws and 1 push rivet from each side • Carefully with 2 people remove rear bumper <p>Remove the spare tire:</p> <ul style="list-style-type: none"> • Remove 2 bolts to remove the factory shipping hook • Remove spare tire • Remove 5x screws to detach spare wheel under tray, 2x heat shield clips also need to be removed. <p>Set aside all parts removed above for reattachment.</p> <ul style="list-style-type: none"> • Remove impact beam by removing 4x bolts, discard of the impact beam 	<p>Spanners, sockets, Torx head screw-driver</p>	<p>N/A</p>	

Towbar Fitting Instructions




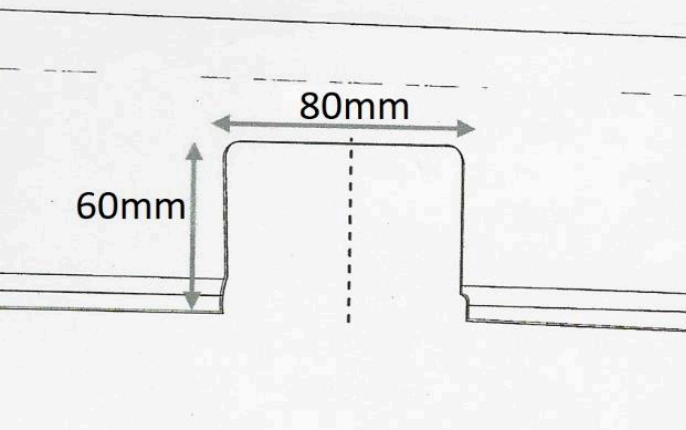
Step 2	Fit Towbar End Plates	
		
Instructions	Tools	Fasteners/Torques
<ol style="list-style-type: none"> 1. Loosely secure both towbar end plates to the chassis. <ul style="list-style-type: none"> • Slide each end plate into the chassis rails • Using 3x M12 Bolt, Flat and Shake Proof Washers and a chassis plate on the inside of each chassis rail 2. Tighten the bolts to hold the end plates against the chassis rails. DO NOT tighten to torque spec. 	Spanners, Sockets	N/A

Step 3	Determine if Spacers are Required	
		
Instructions	Tools	Fasteners/Torques
<p>Position the Towbar centre section between the two end plates.</p> <p>If there is more than approx. 3mm clearance between the parts on each side, then spacers will be required.</p> <p>If the clearance is less than this, spacers will not be required between the parts.</p>	NA	NA

Towbar Fitting Instructions

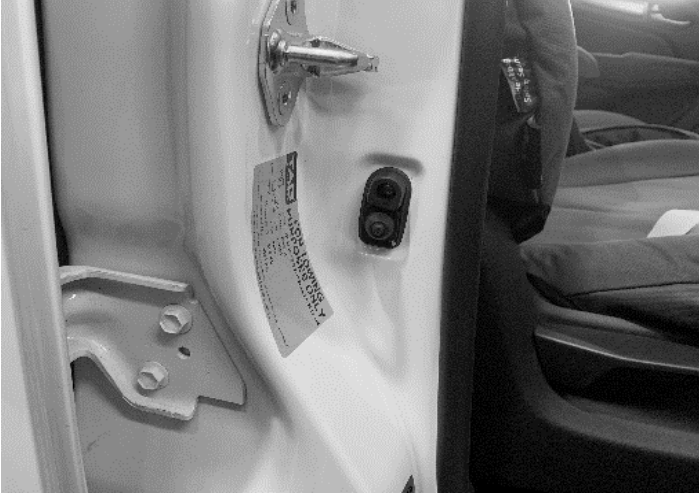


Step 4	Secure Towbar Centre Section & Torque Bolts	
		
Instructions	Tools	Fasteners/Torques
<p>Using 4x M12x45 Bolts, Shake Proof Washers, 3x M12 Nuts, 6x M12 Flat Washers, and 1x Spacer (if required) per side. Loosely secure the towbar centre section between the end plates. Ensure centre section is right side up with the hitch receiver below the main cross-bar.</p> <p>When all hardware is in place, tighten all bolts (including those into the chassis rails) to the torque specified.</p>	<p>Spanner/Sockets, Torque Wrench</p>	<p>M12 = 100Nm</p>

Step 5	Perform Bumper Cut & Refit Bumper	
		
Instructions	Tools	Fasteners/Torques
<p>Carefully perform bumper cut as indicated in the diagram above. Please note this is only an indication, bumpers can vary between models and the fitter should take their own measurements.</p> <p>Refit the rear bumper and other components removed in step 1. Tighten all hardware to factory torque specs as noted in vehicle workshop manual.</p>	<p>Air Saw</p>	

Towbar Fitting Instructions



Step 6	Apply Sticker to Door Jamb	
		
Instructions	Tools	Fasteners/Torques
Apply Towbar info label to the inside of the driver's side door Jamb.	N/A	N/A

Towbar Fitting Instructions



Torque table for bolt tightening

Metric GRADE 8.8	UNC GRADE 8
M6 – 12.5 Nm	3/8 – 50 Nm
M8 – 30 Nm	1/2 – 125 Nm
M10 – 60 Nm	5/8 – 245 Nm
M12 – 103 Nm	
M14 – 167 Nm	
M16 – 270 Nm	

TAG Warranty Statement

SWD warrants your TAG Towbar for its full product life under the following conditions:

- You can show proof of purchase.
- The towbar has been correctly installed by a suitably qualified installer.
- The towbar has not been modified or abused in any way and has only been used for the purpose intended.
- The towbar was not fitted second hand to your vehicle.

The extent of this warranty includes materials and workmanship used in the manufacture of the towbar and is to the equivalent value of current, full replacement cost.

Nothing stated or implied in this warranty limits in any way, the statutory rights that you may have.

To make a claim visit the original installer in the first instance or, if you are unable to or are not satisfied with their help, then contact us direct by phone on 1300 669122 or visit www.swd.com.au