

Fitting Instructions



SKU

PRODUCT

T7P772

TAG Heavy Duty Towbar to suit RAM 1500 (12/2018 - on)



Scan for latest version of these instructions

SPECIFICATIONS

- Towbar Class: Heavy Duty
- Towing Capacity: 4500kg

IN THIS GUIDE

- Fitment Instructions
- Torque Settings
- Warranty Info

Towbar Fitting Instructions



Step-By-Step Instructions

Warning:

- This product is for towing purposes only and must only be loaded as shown in your vehicle Owner's Manual.
- This towbar is NOT to be drilled, cut, welded, or modified in any way.
- Check behind chassis rail and body panels before drilling to ensure no hazards are present
- All load ratings shown are under the assumption your trailer has a functional braking system installed
- When installed in positions other than the one depicted in these instructions the Tow Ball Mount may interfere or obstruct certain features of your vehicle (tailgate opening, Chassis clearance, etc.)

General:

- Before fitting this towbar read fitting instructions and check installation hardware is correct.
- Check that the towbar is suitable for the vehicle and be wary of any changes to the vehicle design that may conflict with the fitting of this towbar. (Tray, Canopy, Suspension etc.)
- After drilling, blow any filings clear, remove any swarf and treat exposed metal with a rust inhibitor.
- The high tensile fasteners supplied with this product are an integral feature to achieving the specified rating, if replacement is required ensure that fasteners of the same grade (8.8) & quality are used. Contact an authorised TAG distributor or the TAG fitment centre - (07) 3208 3022 - if further information is required.

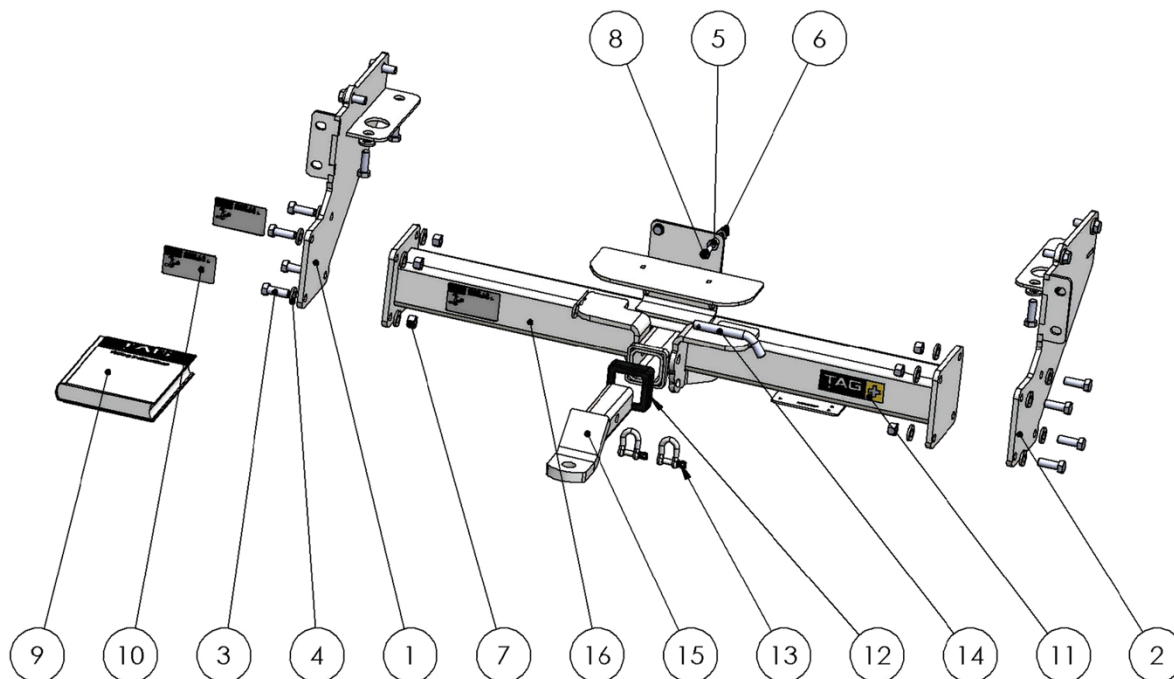
Towbar Maintenance and Care:

It is recommended, when not in use, the Tow Ball Mount assembly and class 4 Pin and Clip is stored inside the car away from moisture to prevent standing water from forming rust. Inspect to ensure, on regular basis, fasteners are torqued to the specifications below and in good condition.

Ensure that the fitting instructions are read and understood prior to fitment

Place these instructions in the vehicle's glovebox after installation is completed

Towbar Fitting Instructions




Tools Required:

Spanners/Sockets, Torque Wrench, Trim removal tool, 15mm socket/spanner, screw driver

ITEM NO.	DESCRIPTION	QTY.
1	End Plate Bracket Assembly PS	1
2	End Plate Bracket Assembly DS	1
3	M14X40 1.5 PITCH B/O GR8.8 METRIC FINE THREAD ZINC CLEAR	16
4	BM14 FLAT WASHER FLAT ROUND ZINC CLEAR	24
5	M10 FLAT WASHER FLAT ROUND ZINC CLEAR	4
6	M10 1.5 Pitch Nut	2
7	M14 X 1.5 PITCH NUT METRIC	8
8	M10X30 1.5 PITCH B/O GR8.8 METRIC THREAD ZINC CLEAR	2
9	Fitting Instruction - T7P772	1
10	TAG Compliance plate	3
11	TAG + Foil Sticker 123x38	1
12	Cover Hitch Receiver Collar TAG	1
13	TAG D-Shackle - 10mm, 1000kg, Galvanised	2
14	Class 4 Pin & Clip	1
15	L4045 Ball Mount - Powder Coated	1
16	Weld Assembly for T7P772	1


Towbar Fitting Instructions



Step 1	Remove bumper bar	
		
Instructions	Tools	Fasteners/Torques
<ol style="list-style-type: none"> a. Disconnect reverse sensor wiring loom on LHS chassis b. Disconnect the number plate lights from behind the bumper bar. c. Disconnect any wiring attached to the factory towbar assembly. d. Remove number plate. e. Remove 2x M10 bolts and 2x plastic scriveners from number plate location. Retain fasteners. f. Remove 2x M10 bolts from each side fastening the bumper to the factory towbar assembly. These bolts face rearward. <u>Retain fasteners.</u> g. Remove bumper from vehicle. 	<p>Trim removal tool, 15mm socket/spanner, screw driver</p>	<p>N/A</p>

Towbar Fitting Instructions



Step 2	Fit Towbar	
		
Instructions	Tools	Fasteners/Torques
<ul style="list-style-type: none">a. Loosely secure side plates to each chassis rail with 4x M14x 1.5x 45 bolts & flat washersb. Lift crossmember up to side plates and loosely secure with 8x M14x 1.5x 45 bolts & flat washers & nuts. Caution: two-man lift may be required.c. Fasten vertical bolts in chassis followed by horizontal bolts.d. Fasten bolts on crossmember.	21mm & 22mm socket/ spanner	N/A

Towbar Fitting Instructions



Step 3

Fit Bumper bar



Instructions

- a. Lift bumper back into its original position and loosely secure with original M10 bolts in outer holes of towbar.
- b. Insert plastic scrivenets back into holes in number plate area.
- c. Insert original M10 bolts in number plate area using M10x1.5 nuts & flat washers to secure.
- d. Tighten all bolts.
- e. Re-connect number plate lights and reverse sensor wiring loom.
- f. Cable tie any loose wiring.
- e. g. Fasten trailer plug to plug bracket on crossmember.


Tools

15mm & 16mm
socket/ spanners,
screwdrivers

Fasteners/Torques

Towbar Fitting Instructions



Step 4	Apply Sticker to Door Jamb	
 A black and white photograph showing the interior of a car door. The door is open, and the view is from the inside looking towards the door jamb. A small, rectangular sticker is affixed to the inner edge of the door jamb. The interior of the door, including the door handle and some wiring, is visible.		
Instructions	Tools	Fasteners/Torques
Apply Towbar info label to the inside of the driver's side door Jamb.	N/A	N/A

Towbar Fitting Instructions



Torque table for bolt tightening

Metric GRADE 8.8	UNC GRADE 8
M6 – 12.5 Nm	3/8 – 50 Nm
M8 – 30 Nm	1/2 – 125 Nm
M10 – 60 Nm	5/8 – 245 Nm
M12 – 103 Nm	
M14 – 167 Nm	
M16 – 270 Nm	

TAG Warranty Statement

SWD warrants your TAG Towbar for its full product life under the following conditions:

- You can show proof of purchase.
- The towbar has been correctly installed by a suitably qualified installer.
- The towbar has not been modified or abused in any way and has only been used for the purpose intended.
- The towbar was not fitted second hand to your vehicle.

The extent of this warranty includes materials and workmanship used in the manufacture of the towbar and is to the equivalent value of current, full replacement cost.

Nothing stated or implied in this warranty limits in any way, the statutory rights that you may have.

To make a claim visit the original installer in the first instance or, if you are unable to or are not satisfied with their help, then contact us direct by phone on 1300 669122 or visit www.swd.com.au