

Fitting Instructions



SKU

PRODUCT

T7T699

**TAG Heavy Duty Towbar to suit
Toyota Landcruiser - Single &
Dual Cab Chassis (08/2012 - on)**



Scan for latest
version of these
instructions

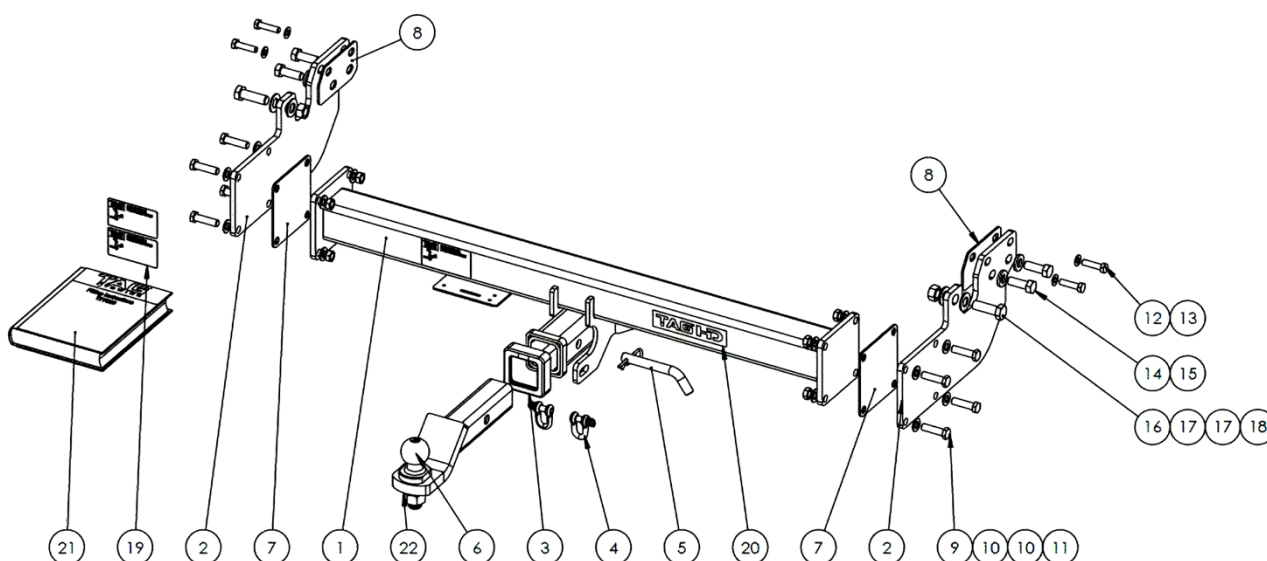
SPECIFICATIONS

- Towbar Class: Heavy Duty
- Towing Capacity: 3500kg

IN THIS GUIDE

- Fitment Instructions
- Torque Settings
- Warranty Info

Towbar Fitting Instructions



Tools Required: Spanners, Sockets, Screwdriver, Torque wrench, Drill, Drill Bit Set

Item No.	Description	QTY.	Item No.	Description	QTY.
1	Main Bar Subassembly T7T699	1	12	M10 x 1.25 x 40 Bolt	4
2	End Plate T7T699 3 Piece	2	13	M10 Flat Washer	4
3	TAG Hitch Receiver Cover	1	14	M14 x 1.5 x 40 Bolt	4
4	D-Shackle	2	15	BM14 Flat Washer	4
5	Class 4 Pin & Clip	1	16	M16 x 1.5 x 50 Bolt	2
6	50mm TAG Tow Ball	1	17	M16 Flat Washer	4
7	End Plate Spacer 3mm	2	18	M16 x 1.5 Nut	2
8	Chassis Packer Plate	2	19	TAG Compliance Sticker	3
9	M12x1.25x45 Bolt	8	20	TAG HD Sticker 150 x 33mm	1
10	M12 Flat Washer Zinc Clear	16	21	Fitting Instruction - T7T699	1
11	M12 x 1.25 Nut	8	22	L4045 Towball Mount	1

Towbar Fitting Instructions



Step-By-Step Instructions

Warning:

Safety First: Always use correct safety equipment.

This towbar is NOT to be drilled, cut, welded or modified in any way.

Check the surrounding area before drilling into chassis or body panels for fuel lines, wiring harnesses and other components that may be a hazard.

General:

Before fitting this towbar read fitting instructions and check installation hardware is correct.

Check that the towbar is suitable for the vehicle and be wary of any changes to the vehicle design that may conflict with the fitting of this towbar.

After drilling, blow any filings clear, remove any swarf and treat exposed metal with a rust inhibitor.

If this vehicle requires a bumper cut out, please check to make sure that you measure twice and check twice before cutting any panels as some bumper profiles can change.

If you are not sure then ask your towbar supplier.

Tighten all bolts as specified on the last page.

Step 1. Drop Exhaust, Fit Endplates, Drill Chassis, Spray Rust Prevention

- a) Remove 2X rear exhaust mount screws and drop exhaust. Support if needed.
- b) Loosely secure towbar end plates to chassis using 2X M10 bolts in the top 2 holes in the endplate
- c) Now using the endplate as a guide mark the slot in the centre tab onto the chassis, remove endplate and drill marked area

NOTE: A centre punch can be used to prevent the drill bit from moving around while drilling

NOTE: After deburring the drill hole a suitable rust prevention spray is to be used on the chassis and allowed dried before continuing

- d) After replacing the M10 hardware in the same way as before the 2X M14 bolts and flat washers can be secured into the 2 holes bellow the M10 hardware
- e) Using 1 x M16 bolt and flat washer secure tab to chassis with a washer and nut on the inside of the chassis
- f) Hand tighten the bolts to hold the end plates against the chassis rails.

Step 2. Fit Towbar, Refit Componentry

- a. Position the towbar centre section between the two end plates.
- b. If there is more than approx. 3mm clearance between the parts of each side, then spacers will be required.
- c. if the clearance is less than this, spacers will not be required between the parts
- d. Using 4x M12 bolts, shake proof washers, and bolts, 8x M12 flat washers, and 1x spacer (if required) per side.
- e. Loosely secure the towbar centre section between the end plates. Ensure centre section is right side up with the hitch receiver bellow the main crossbar.
- f. When all hardware is in place, tighten all bolts (including those into the chassis rails) to the torque specified.
- g. Attach the rear Exhaust mount that was removed in step one. Tighten to torque specified in vehicle owner's manual.

Towbar Fitting Instructions



Step 3. Fit Ball Mount and Apply Door Sticker

- a. Attach plastic hitch surround to receiver.
- b. Insert ball mount into hitch receiver and secure with the pull pin and R-clip.
- c. Apply one of the compliance labels to the pillar of the driver's door.
- d. Leave the remaining label & the fitting instructions in the vehicle handbook.



Torque table for bolt tightening

Diameter	Pitch	Grade	Torque	Unit
M8	1.25	8.8	29	Nm
M10	1.25	8.8	57	Nm
M10	1.50	8.8	44	Nm
M12	1.25	8.8	101	Nm
M12	1.50	8.8	97	Nm
M12	1.75	8.8	77	Nm
M14	2.00	8.8	122	Nm
M16	2.00	8.8	190	Nm
Imperial Bolt Torque Settings				
3/8"	UNC	8	44.75	Nm
1/2"	UNC	8	108.5	Nm

TAG Warranty Statement

SWD warrants your TAG Towbar for its full product life under the following conditions:

- You can show proof of purchase.
- The towbar has been correctly installed by a suitably qualified installer.
- The towbar has not been modified or abused in any way and has only been used for the purpose intended.
- The towbar was not fitted second hand to your vehicle.

The extent of this warranty includes materials and workmanship used in the manufacture of the towbar and is to the equivalent value of current, full replacement cost.

Nothing stated or implied in this warranty limits in any way, the statutory rights that you may have.

To make a claim visit the original installer in the first instance or, if you are unable to or are not satisfied with their help, then contact us direct by phone on 1300 669122 or visit www.swd.com.au