

Fitting Instructions



SKU

PRODUCT

T7Z726

**TAG Heavy Duty Towbar to suit
Hyundai iLoad (01/2008 - on),
iMAX (02/2008 - on)**



Scan for latest
version of these
instructions

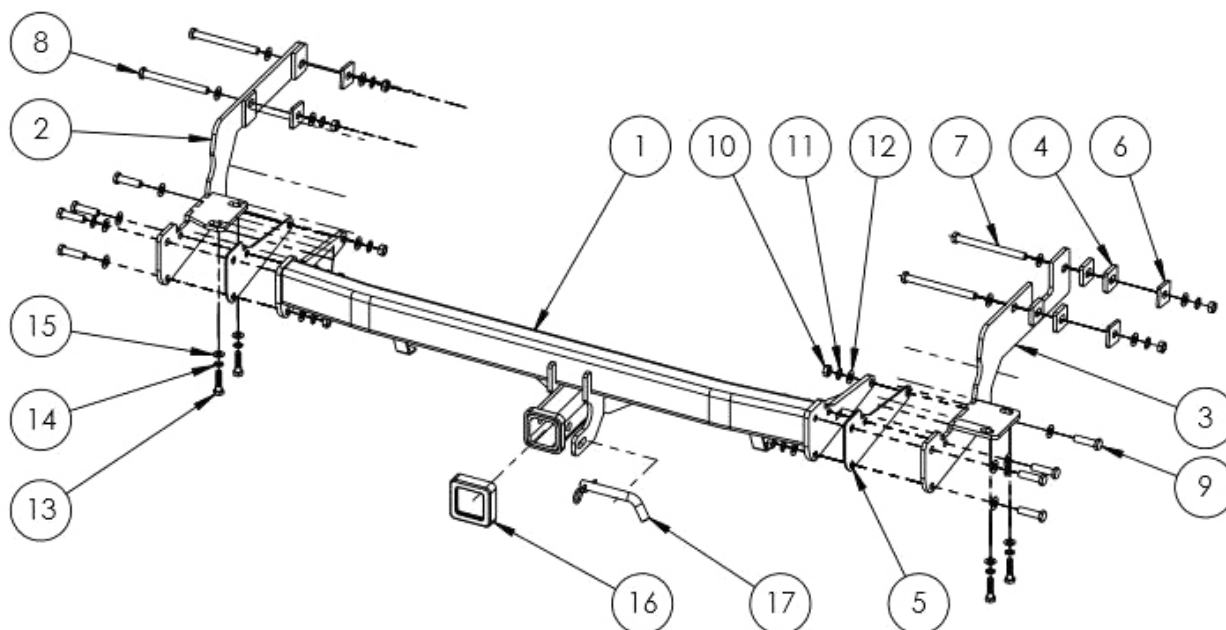
SPECIFICATIONS

- Towbar Class: Heavy Duty
- Towing Capacity: 2500kg

IN THIS GUIDE

- Fitment Instructions
- Torque Settings
- Warranty Info

Towbar Fitting Instructions



Tools Required: Spanners, Sockets, Torque Wrench, Screwdrivers, Trim Removal tools, Air Saw

Kit Contents					
Item No.	Description	Qty	Item No.	Description	Qty
1.	Towbar Centre Section	1	11.	M12 Shake Proof Washer	12
2.	End Plate Subassembly PS	1	12.	M12 Flat Washer	22
3.	End Plate Subassembly DS	1	13.	M10x1.25x40 Bolt	4
4.	DS Chassis Spacer 8mm	4	14.	M10 Shake Proof Washer	4
5.	Spacer 3mm	2	15.	M10 Flat Washer	4
6.	Chassis Plate 6mm	4	17.	Hitch Collar Cover	1
7.	M12x1.75x140 Bolt	2	18.	Pin & Clip	1
8.	M12x1.75x130 Bolt	2	-	D-Shackles	2
9.	M12x1.75x45 Bolt	8	-	Compliance Sticker	1
10.	M12x1.75 Nut	10			

Step-By-Step Instructions

Warning:

- This product is for towing purposes only and must only be loaded as shown in your vehicle Owner's Manual.
- This towbar is NOT to be drilled, cut, welded, or modified in any way.
- Check behind chassis rail and body panels before drilling to ensure no hazards are present
- All load ratings shown are under the assumption your trailer has a functional braking system installed.
- When installed in positions other than the one depicted in these instructions the Tow Ball Mount may interfere or obstruct certain features of your vehicle (tailgate opening, Chassis clearance, etc.)

General:

- Before fitting this towbar read fitting instructions and check installation hardware is correct.
- Check that the towbar is suitable for the vehicle and be wary of any changes to the vehicle design that may conflict with the fitting of this towbar. (Tray, Canopy, Suspension etc.)
- After drilling, blow any filings clear, remove any swarf and treat exposed metal with a rust inhibitor.
- The high tensile fasteners supplied with this product are an integral feature to achieving the specified rating, if replacement is required ensure that fasteners of the same grade (8.8) & quality are used. Contact an authorised TAG distributor or the TAG fitment centre - (07) 3208 3022 - if further information is required.

Towbar Maintenance and Care:

It is recommended, when not in use, the Tow Ball Mount assembly and class 4 Pin and Clip is stored inside the car away from moisture to prevent standing water from forming rust. Inspect to ensure, on regular basis, fasteners are torqued to the specifications below and in good condition.

Ensure that the fitting instructions are read and understood prior to fitment

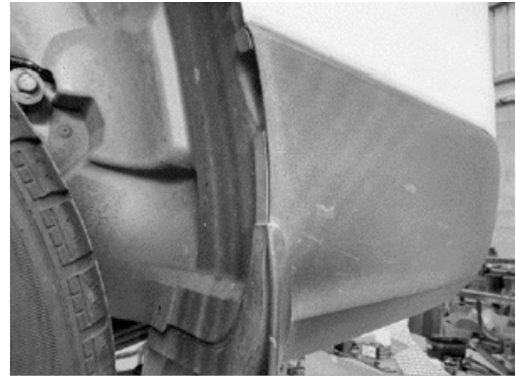
Place these instructions in the vehicle's glovebox after installation is completed

Towbar Fitting Instructions



Step 1. Remove Bumper & Impact Beam

- a. Remove screws and plastic rivets securing the rear bumper. These are located inside each wheel well, underneath the bumper behind each wheel, along the bottom each of the bumper and behind the trim in the rear door jam.
- b. Carefully with 2 people, unclip the bumper from the vehicle and set aside with all the screws and rivets for reattachment.
- c. Remove 2x bolts from the underside of each chassis rail to remove the impact beam. These parts can be discarded as they will not be reattached.
- d. Lower the spare tire to allow for extra space if necessary



Towbar Fitting Instructions

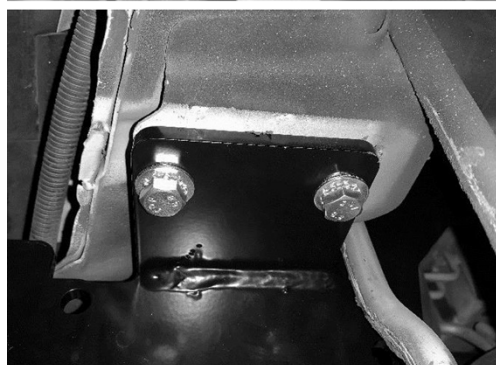


Step 2. Fit Towbar End Plates

- a. Loosely secure both towbar end plates to the chassis.
 - On the driver's side, use 2x M12x140 Bolts and flat washers, with 2x8mm chassis plates on each bolt between the end plate and chassis rail. Fasten on the other side with M12 Nuts, Flat and Shake Proof Washers and 6mm chassis plates.
 - On the passenger side, use 2x M12x130 Bolts and flat washers. Fasten on the other side with M12 Nuts, Flat and Shake Proof Washers and 6mm chassis plates.
- b. Tighten the bolts to hold the end plates against the chassis rails. **DO NOT tighten to torque spec.**
- c. **Determine if spacers are required:** Position the Towbar centre section between the two end plates.

If there is more than approx. 3mm clearance between the parts on each side, then spacers will be required.

If the clearance is less than this, spacers will not be required between the parts.



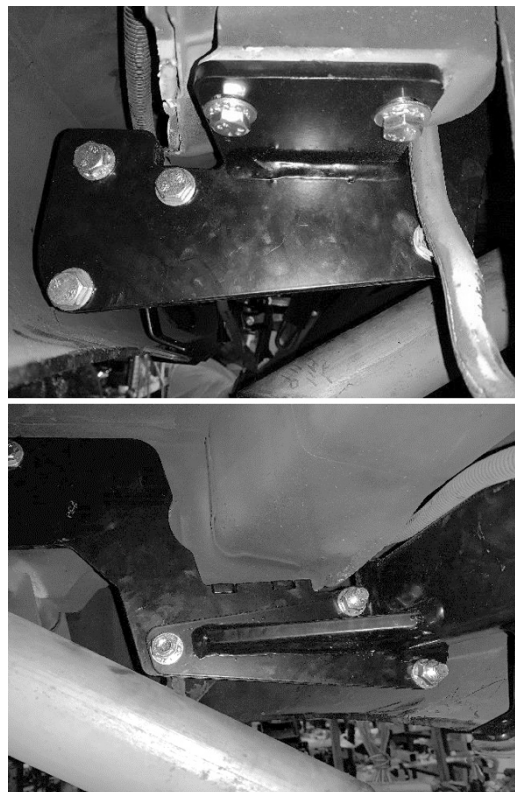
Towbar Fitting Instructions



Step 3. Secure Towbar Centre Section & Torque Bolts

Using 4x M12x45 Bolts, Shake Proof Washers, 3xM12 Nuts, 6x M12 Flat Washers, and 1x Spacer (if required) per side. Loosely secure the towbar centre section between the end plates. Ensure centre section is right side up with the hitch receiver bellow the main cross-bar.

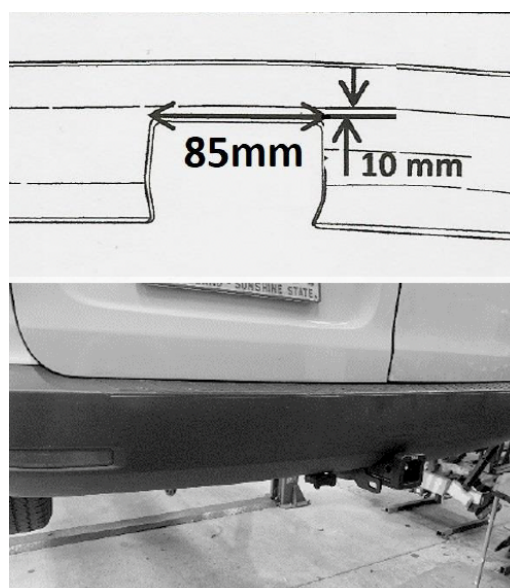
When all hardware is in place, tighten all bolts (including those into the chassis rails) to the torque specified.



Step 4. Secure Towbar Centre Section & Torque Bolts

Find the bumper centreline and carefully perform bumper cut as indicated in the diagram above. Please note this is only an indication, bumpers can vary between models and the fitter should take their own measurements.

Refit the rear bumper using fasteners removed in step 1.



Towbar Fitting Instructions



Step 5. Apply Door Sticker

- a) Apply Towbar info label to the inside of the driver's side door Jam.



TAG Warranty Statement

SWD warrants your TAG Towbar for its full product life under the following conditions:

- You can show proof of purchase.
- The towbar has been correctly installed by a suitably qualified installer.
- The towbar has not been modified or abused in any way and has only been used for the purpose intended.
- The towbar was not fitted second hand to your vehicle.

The extent of this warranty includes materials and workmanship used in the manufacture of the towbar and is to the equivalent value of current, full replacement cost.

Nothing stated or implied in this warranty limits in any way, the statutory rights that you may have.

To make a claim visit the original installer in the first instance or, if you are unable to or are not satisfied with their help, then contact us direct by phone on 1300 669122 or visit www.swd.com.au