



Towbar Fitting Instructions  
To Suit TOYOTA 4 RUNNER 4WD 11/85-ON  
Part Number TT101C  
Rating 1250Kg

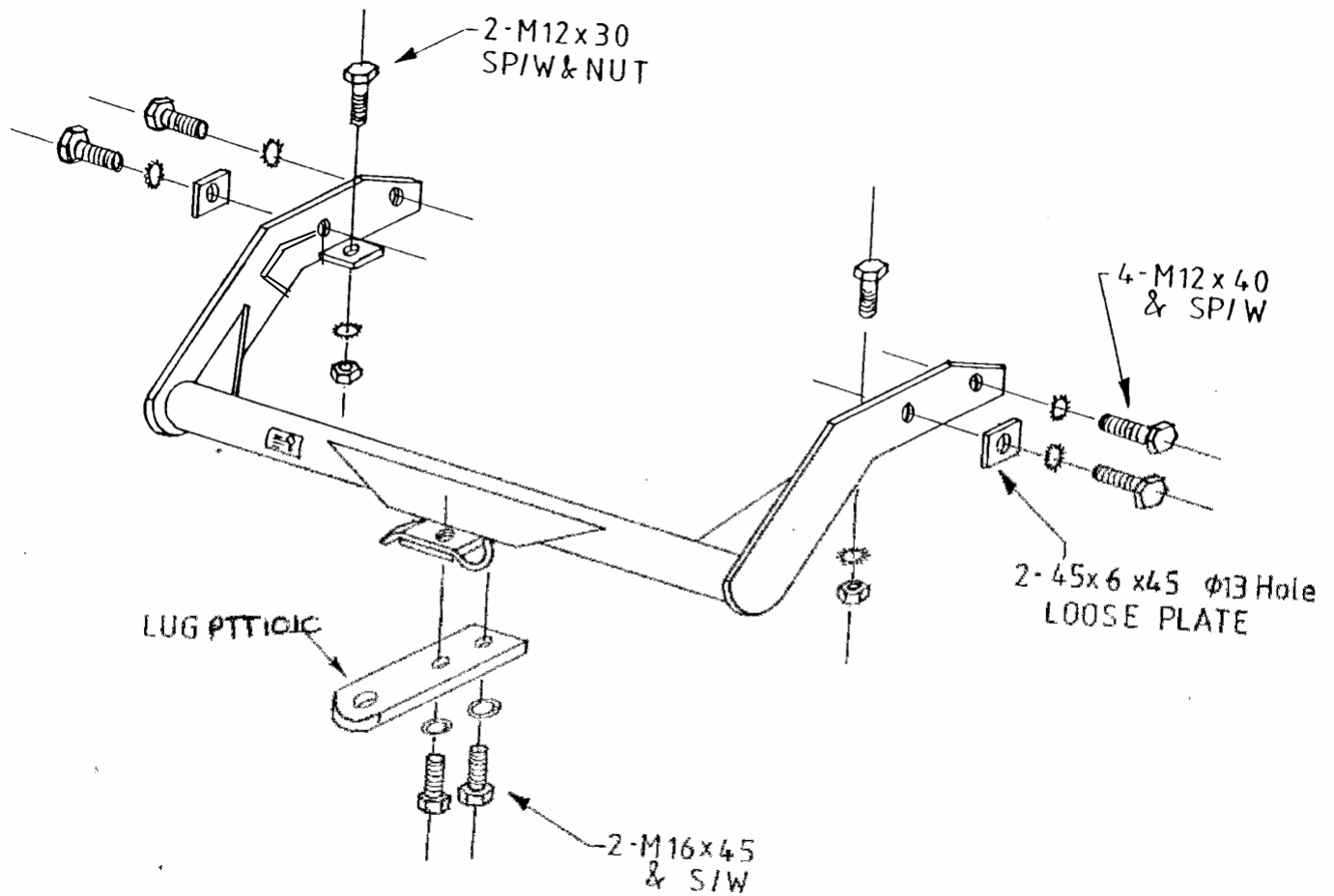
1. Ensure all hardware items have been included.
2. Using sketch provided, mark and drill 1x12mm hole in each chassis rail.
2. Place towbar in position with side arms inside chassis rails.
4. Fit three bolts and nuts provided on each side.
5. Tighten all bolts to torque listing below.

**RECOMMENDED ASSEMBLY TORQUE LISTING**

<b><u>Diameter</u></b>	<b><u>Grade 8.8 Bolt</u></b>
	<b>Nm</b>
M6	9.5
M8	21.7
M10	43.4
M12	77.3
M14	121.0
M16	189.8

# TRAILBOSS

Towbar Fitting Instructions  
To Suit TOYOTA 4 RUNNER 4WD 11/85-ON  
Part Number TT101C  
Rating 1250Kg



Towbar Fitting Instructions  
To Suit TOYOTA 4 RUNNER 4WD 11/85-ON  
Part Number TT101C  
Rating 1250Kg

OUTSIDE  
CHASSIS

