



Towbar Fitting Instructions  
To Suit Toyota Camry 07-2006-on RATED AT 1200/120KG  
Toyota Aurion – RATED AT 1600/160KG  
Part Number TT150L

**WARNING:**

1. Do not, drill, cut, weld or otherwise modify the tow bar.
2. If you are using electric welding on a motor vehicle, **always** check that the vehicle is not equipped with electronic engine or instrument management equipment. Failure to do so could **destroy** any onboard computers. If in doubt, check with the vehicle's manufacturer.

- 1 Ensure all hardware items have been included.
- 2 Remove the Rear bumper of the vehicle by following the steps described below.
  - a) Open boot. Remove the carpet, bolt, board and spare wheel from the vehicle boot, in-order to access retention points from inside of boot. Remove the retention points from the inside of the boot on both the LHS & RHS side.
  - b) Remove the mudflaps from the vehicle on both driver & passenger sides (3 fasteners each).
  - c) Remove bolts located on the underside of rear bumper & inside the rear wheel arch on both driver and passenger sides.
  - d) Remove the under tray which is present only for the sportive variants.
  - e) Remove the two clips securing the bumper to the body.
  - f) Remove the panels on the rear bumper to access the bolts securing the bumper to the body on both driver & passenger sides as shown in figure 1.
  - g) Gently pull outwards on the bumper to dislodge it from the vehicle. Remove the OE parking sonar harness located behind the rear bumper if fitted.
- 3 Remove & discard the impact beam. NOTE: Please retain the nuts shown in figure 3 used to mount the impact beam as they are to be used to fit the Rear Panel bracket as shown in drawing of Towbar.
- 4 Lower the exhaust off the rubber mounts (3 places). Remove the 2 bolts holding the exhaust in place and remove the exhaust.
- 5 Remove the exhaust hanger bracket shown in figure 5.
- 6 Remove the heat shield (3 bolts) from the vehicle.
- 7 Manoeuvre the main towbar to the vehicle. The main towbar assembly mounts to the inner side of the chassis shown in figure 4 on both the driver & passenger sides.
- 8 Secure both the chassis brackets on the outer side of the chassis rail loosely using m8 bolts as shown in figures 5 & 6. NOTE: Brackets to be tightened only after the exhaust hanger is fitted back on.
- 9 Refit the exhaust hanger back as in reverse of step 5.
- 10 Tighten the brackets to the chassis as shown in figures and also bolt it to the main towbar assembly on both driver & passenger sides using M10 bolts (3 places) on both sides.
- 11 Offer rear-panel bracket to the vehicle. These brackets are bolted on to the rear panel using the nuts that were used to mount the impact beam and bolted on to the main towbar assembly as shown in figure 6.
- 12 Temporarily refit the rear bumper to the vehicle and mark the location of the towbar side arms. Cut the bumper at two places as shown in figures 7&8. Allow for 3-5mm on either side of the side arms. NOTE: Always mark location of towbar side arms from inside of bumper. Cut inner bumper skin only. Do not cut outer skirt.
- 13 Trim the inner bumper as shown in figure 9. Also trim the outer bumper or skirt as shown in figure 10.
- 14 For **Camry Sportivo** variants only cut-off tab from the inside of outer skirt or bumper as shown in Figure 11.
- 15 Fasten all hardware loosely as per diagram below then tighten all hardware to torque listing.
- 16 Refit bumper in reverse of steps 2.
- 17 Towbar sticker to be consciously located on inside rear end of the driver's door. (see diagram below)

**NOTE: Hayman Reese recommends that you check your tow ball to ensure it complies with the Australian standard AS 4177.2.**

# TRAILBOSS

## Towbar Fitting Instructions To Suit Toyota Camry 07-2006-on RATED AT 1200/120KG Toyota Aurion – RATED AT 1600/160KG Part Number TT150L

### RECOMMENDED ASSEMBLY TORQUE LISTING

Diameter	Grade 8.8 Bolt	Nm
M6		9.5
M8		21.7
M10		43.4
M12		77.3
M16		189.8

**FOR TOWING PURPOSES ONLY**  
For towing capacity details please refer to  
vehicle owner's manual or to the manufacturer.

Overloading can void your warranties.

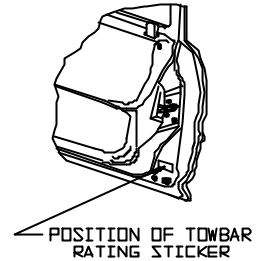


FIG 1: Shows the clips securing the bumper to car.



FIG 2: Shows impact beam on car



FIG 3: Discard impact beam, but retain nuts shown.



Towbar Fitting Instructions  
To Suit Toyota Camry 07-2006-on RATED AT 1200/120KG  
Toyota Aurion – RATED AT 1600/160KG  
Part Number TT150L

FIG 4: Shows the inside of chassis rails and the holes where the towbar mounts

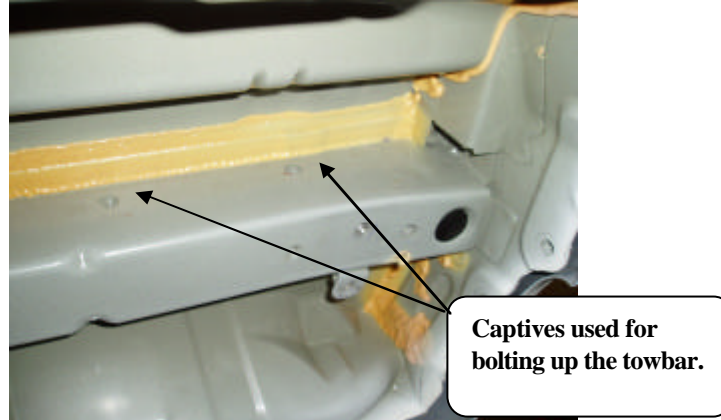


FIG 5: Shows exhaust bracket and Bolt-on side bracket being secured on.

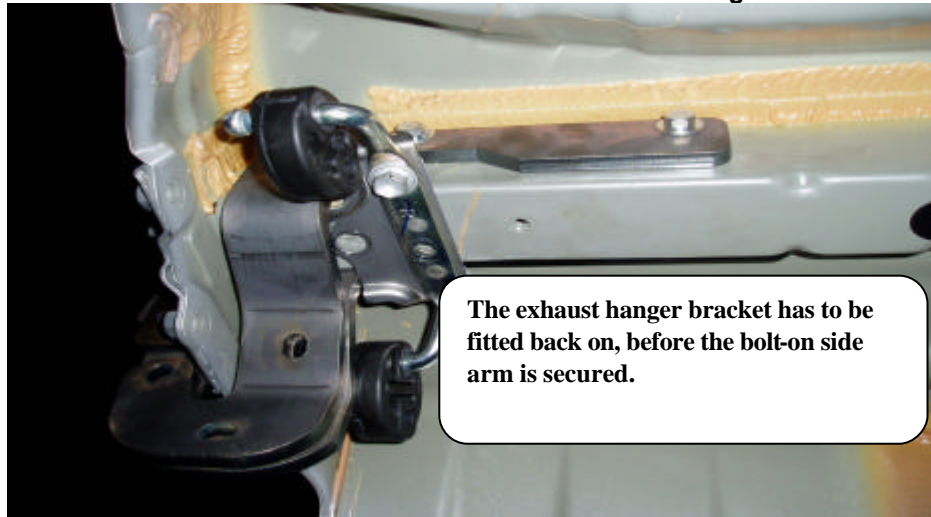
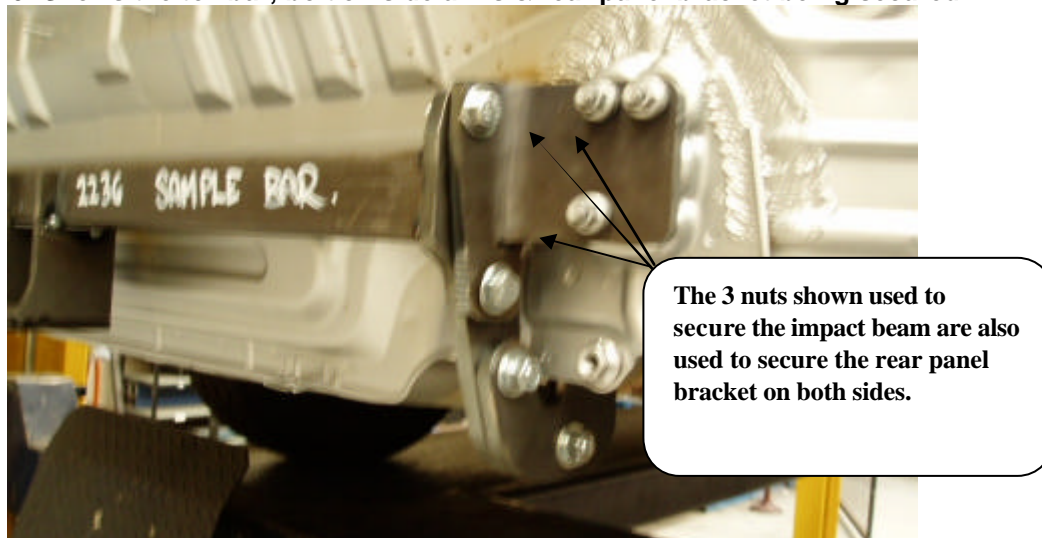


FIG 6: Shows the towbar, bolt-on side arms & rear panel bracket being secured.



Towbar Fitting Instructions  
 To Suit Toyota Camry 07-2006-on RATED AT 1200/120KG  
 Toyota Aurion – RATED AT 1600/160KG  
 Part Number TT150L

**TOYOTA AURION & CAMRY 2236 TOWBAR ASSEMBLY SHOWN**

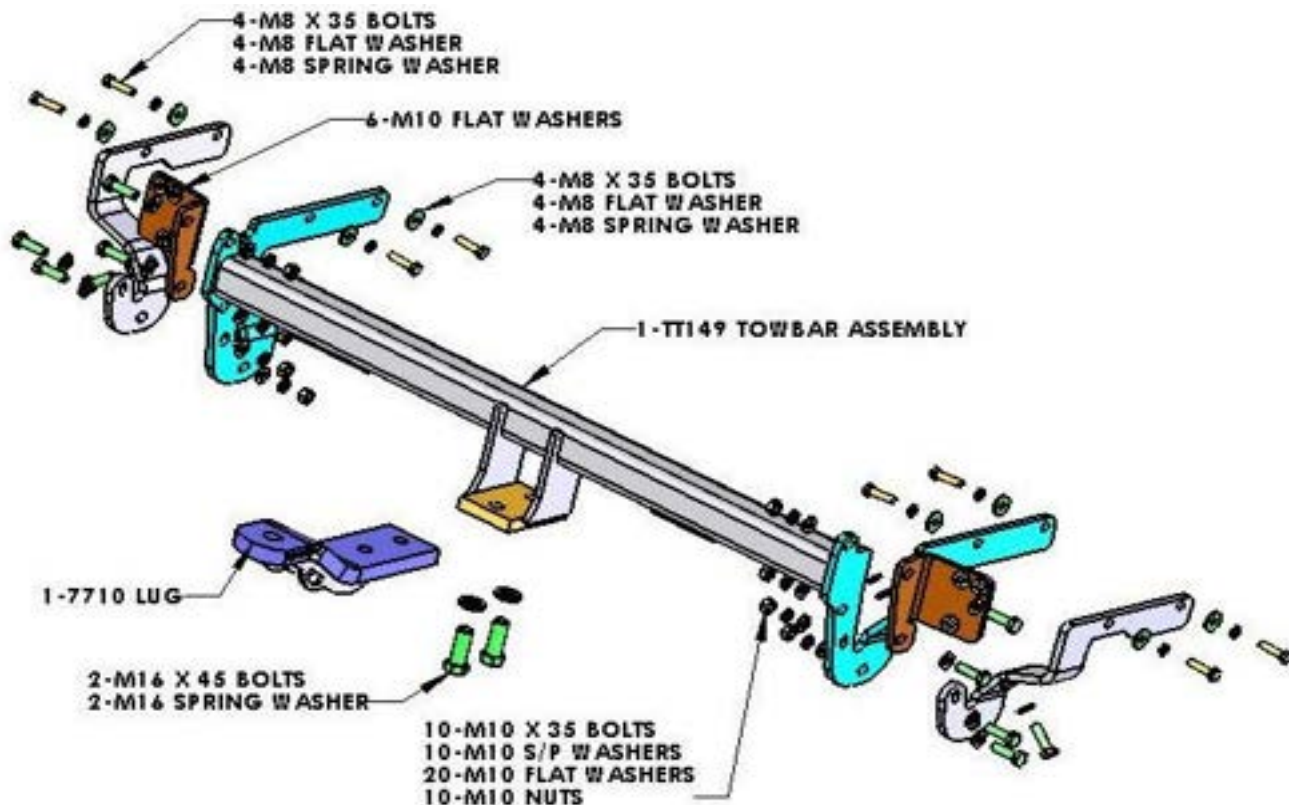
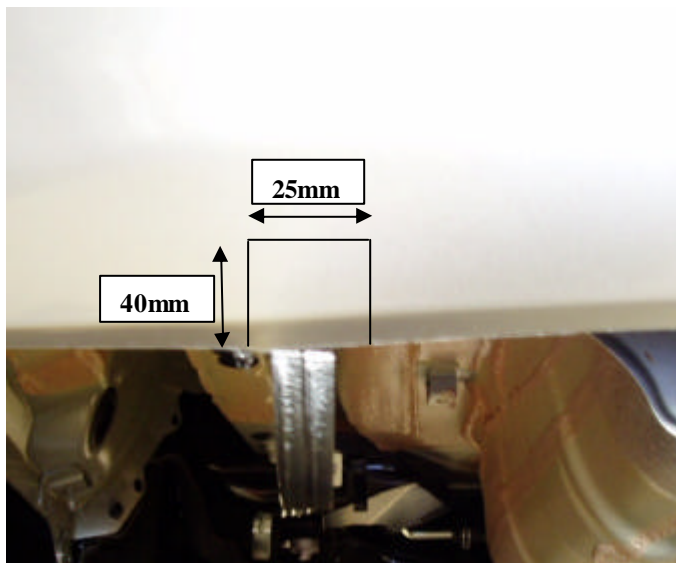


FIG 7: Bumper cut on both sides for the side arms.

FIG 8: Cut bumper shown.



**NOTE:** Mark location of towbar side arms from inside of bumper. Cut inner bumper skin only. Do not cut outer skirt.

Towbar Fitting Instructions  
To Suit Toyota Camry 07-2006-on RATED AT 1200/120KG  
Toyota Aurion – RATED AT 1600/160KG  
Part Number TT150L

FIG 9: Shows Inner bumper cut for all variants.

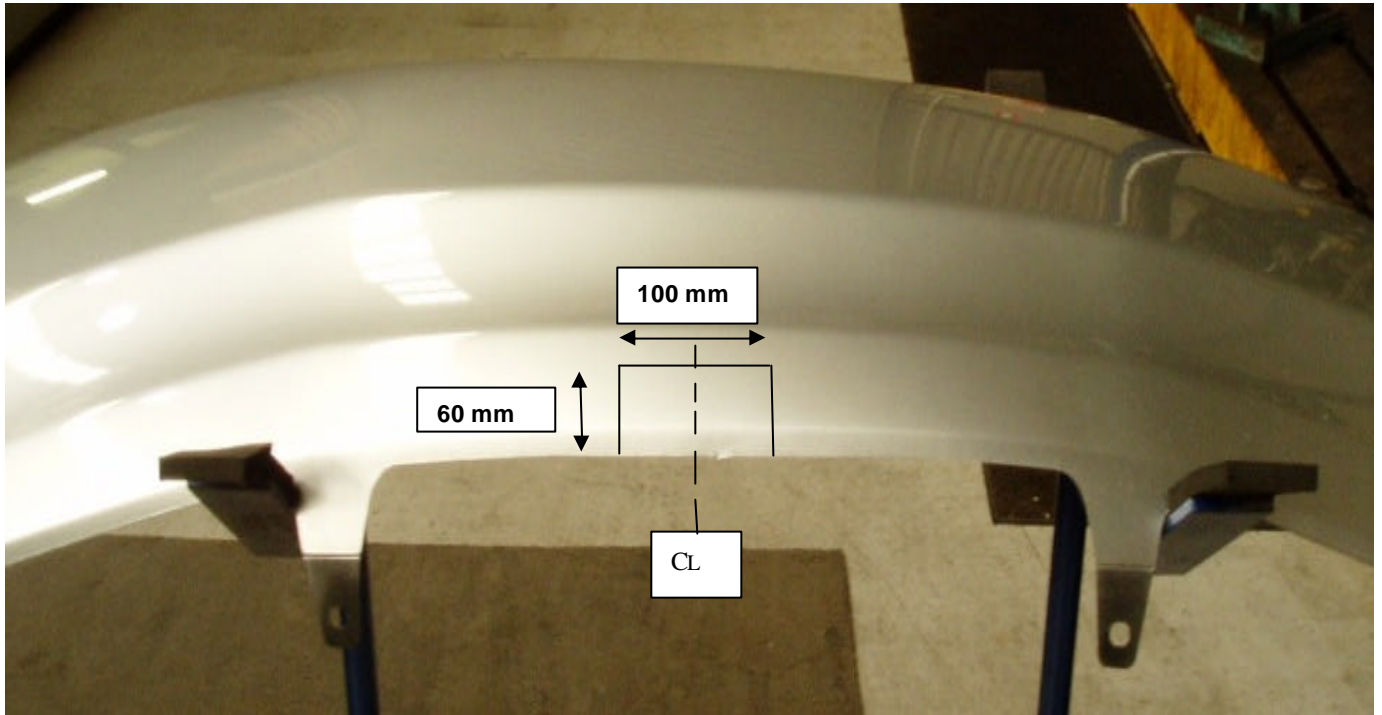
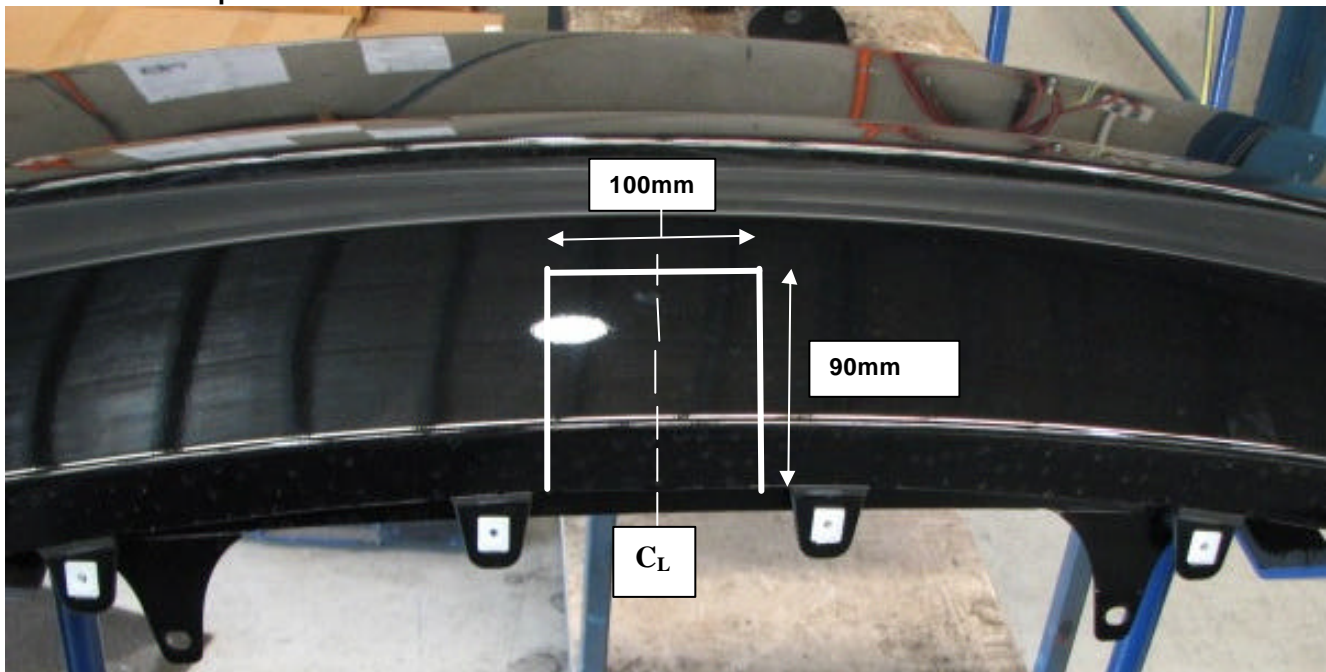


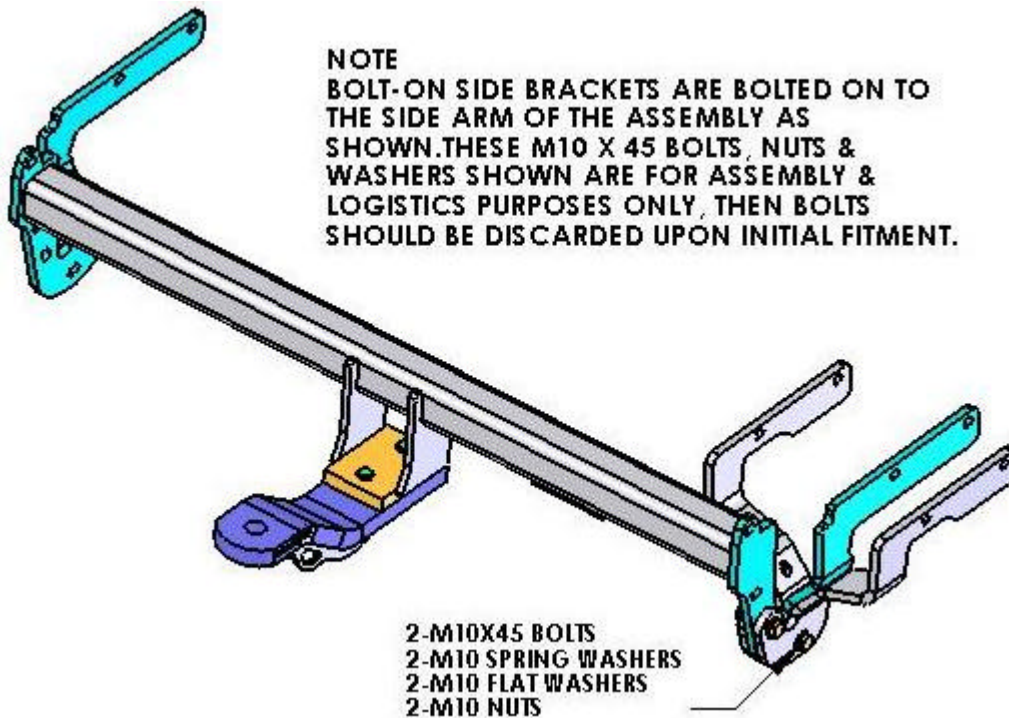
FIG 10: Shows outer bumper cut for the SPORTIVO variant. The two centremost tabs need to be cut off as well from the outer bumper.



# TRAILBOSS

Towbar Fitting Instructions  
To Suit Toyota Camry 07-2006-on RATED AT 1200/120KG  
Toyota Aurion – RATED AT 1600/160KG  
Part Number TT150L

FIG 11: For Camry sportive variants Cut-off tab in the inside of outer bumper as shown, in the passenger side only.



**PLEASE NOTE:** It is advised to remove lug from receiver box when not actually towing so as to produce a clear view of the vehicles registration plate if obscured, and to also provide increased departure angle.



Wiring Loom Fitting Instructions  
To Suit Toyota Camry (July 2006 Onwards) & Aurion  
Part Number 100084-WL

**Wiring Loom Installation Instructions**

**Toyota Camry (July 2006 Onwards) & Aurion  
Part No: 100084-WL**

**Tail Harness Length Require: 1800mm  
ECU Required: 04826  
RPA Override Switch Part No: 04848 (If Fitted)**

**Wiring Loom Installation Time: Approx 40 Mins**



Wiring Loom Fitting Instructions  
To Suit Toyota Camry (July 2006 Onwards) & Aurion  
Part Number 100084-WL

1. In the luggage compartment, remove the luggage compartment floor carpet.
2. Remove the luggage compartment rear trim by removing the trim clips.
3. Remove the LHS luggage compartment trim by removing the fasteners. Repeat for RHS trim.

**NOTE: Steps 4 to 8 only for vehicles that are not pre-wired. Go to Step 9 if the vehicle is pre-wired.**

4. Remove the rear passenger seat base from the vehicle.
5. Remove the LHS rear passenger sill trim.
6. Remove the backseat LHS rear seat support by removing the 10mm bolt that is holding it in.
7. Dislodge the 'B' pillar lower trim.
8. Remove the front passenger sill trim, kick panel and remove the 2 bolts from the underside of the glove box. Open the glove compartment and remove the three top screws.
9. Underneath the vehicle at the rear LHS quarter, locate and remove the grommet (1) from the vehicle.
10. Using a step drill, drill the grommet hole to Ø31mm.
11. Mount the Tail Harness socket using M4 fasteners.
12. Route the Tail Harness (tail length 1800mm) connector into the grommet hole and move the grommet along the harness into position ensuring that the Tail Harness grommet is seated correctly. Secure grommet with a cable tie.

**NOTE: For vehicles that are not pre-wired go to Step 14. Vehicles that are pre-wired, continue below:**

13. House the Power Harness orange wire terminal into Pin 2 of the female Power Harness patch connector.
14. Disconnect the vehicle connector and then patch the Trailer Patch Harness (P/No: 100084-WL) connectors in between.
15. Connect the Tail Harness 8-way male connector to the Trailer Patch Harness (P/No: 100084-WL) 8-way female connector.
16. Locate the 12-way female ECU connector and plug it into the ECU (P/No: 04826). Then secure the ECU using double sided tape on the outer side of the inner boot skin





Wiring Loom Fitting Instructions  
To Suit Toyota Camry (July 2006 Onwards) & Aurion  
Part Number 100084-WL

17. Secure the Power Harness ring terminal onto the grounding point located at the rear of the luggage compartment area.

**Note: Vehicles that are pre-wired, go to Step 23. Vehicles that are not pre-wired, continue to Step 18.**

18. From the luggage compartment area, route the Power Harness ORANGE terminal wire along the vehicle harness through the 'C' and 'B' pillars.

19. Continue routing the Power Harness ORANGE wire towards the glove compartment cavity junction box.

20. At the junction box remove the 26-way connector unclipping the lever lock.

21. Slide open the 26-way connector black lever. Un-house the secondary lock on the 26-way connector.

22. House the Power Harness ORANGE terminal into Pin 17 of the 26-way connector.

23. Underneath the Junction Box, remove the fuse panel cover. Insert a 20 amp mini fuse into the fuse panel (in the position between the 30 amp and 7.5 amp fuses).

24. Test the Trailer socket using a light board or multi-meter.

25. Secure all the harnesses using cables ties.

26. Refit all removed parts and secure all fasteners.

27. Place instructions in glove box after fitment.