

TRAILBOSS

Towbar Fitting Instructions To Suit TOTOTA COROLLA HATCH RATED AT 1300/130KG Part Number TT151L

WARNING:

1. Do not, drill, cut, weld or otherwise modify the tow bar.
2. If you are using electric welding on a motor vehicle, **always** check that the vehicle is not equipped with electronic engine or instrument management equipment. Failure to do so could **destroy** any onboard computers. If in doubt, check with the vehicle's manufacturer.

General:

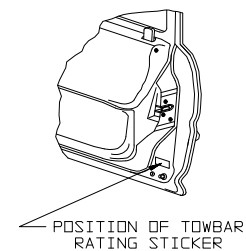
1. Ensure all hardware items have been included
2. It is recommended that the instructions are read through and completely understood before making any attempt to fit this product.
3. Be wary of any changes to vehicle designs or other accessories that may conflict with the installation of this product.
4. Lower the exhaust from the rearmost rubber mount so as to access the mounting points on bottom of chassis.
5. Remove the tow hook from the passenger side chassis & discard.
6. Lift up the towbar to the mounting points and bolt it up loosely as shown in diagram.
7. Tighten all nuts & bolts to the specified torque listing.
8. The high tensile fasteners supplied with this product were used to achieve the specified rating. If replacement is required ensure that fasteners of the same rating & quality are used.
9. Ensure that all hardware is fastened to torque list below check fasteners on regular basis.
10. **PLEASE NOTE:** It is advised to remove your lug or TBM when not actually towing so as to produce a clear view of the vehicles registration plate if obscured, and to also provide maximum available departure angle.
11. Towbar load rating sticker provided with this product shall be conspicuously located on inside rear end of the driver's door. **(See diagram below).**

RECOMMENDED ASSEMBLY TORQUE LISTING

Diameter Grade 8.8 Bolt

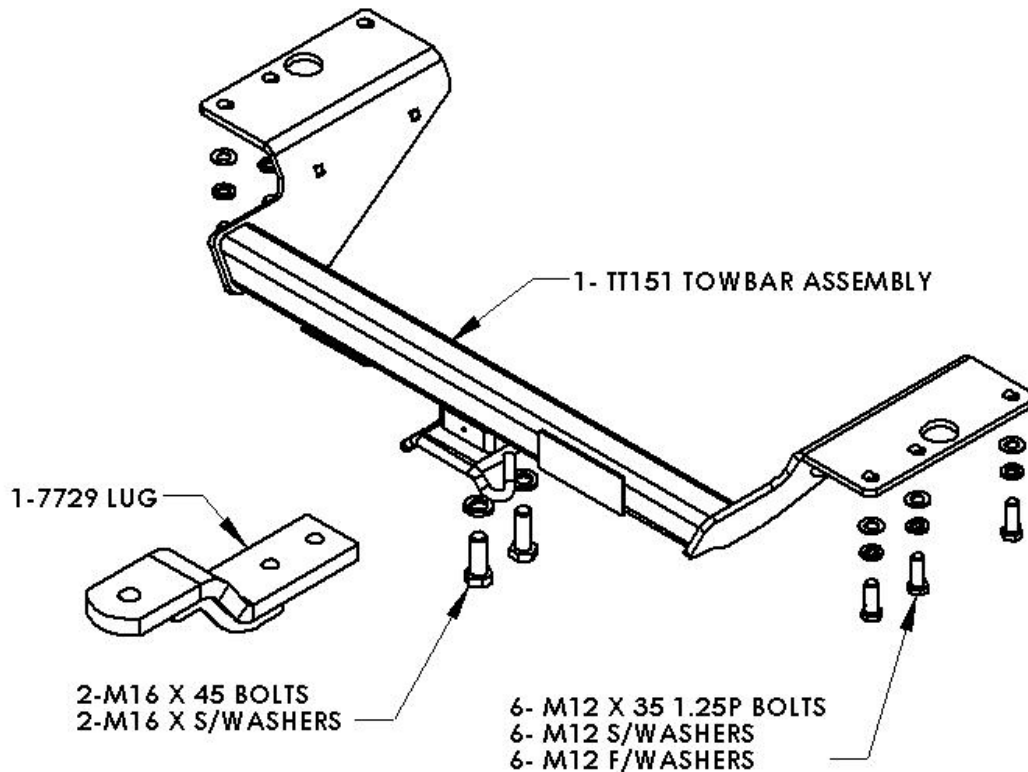
	Nm
M6	9.5
M8	21.7
M10	43.4
M12	77.3
M16	189.8

FOR TOWING PURPOSES ONLY
For towing capacity details please refer to
vehicle owner's manual or to the manufacturer.
Overloading can void your warranties.





Towbar Fitting Instructions
To Suit TOTOTA COROLLA HATCH
RATED AT 1300/130KG
Part Number TT151L
TT151L TOWBAR ASSEMBLY



Tow bar Maintenance and Care.

Trailboss recommends that bolt torque's, as listed below, are routinely and regularly inspected and checked for correct tension. Replace any worn or defective parts.

We recommended to remove Tow Ball Mounts (TBM's, tongues or lugs) when not being used for any considerable length of time.

So as to avoid injury, when not towing it is suggested that the tongue, Pull Pin and R-clip are removed then stored in a safe, clean and dry place, away from excessive moisture.

Hitch Pull Pins and spring "R" clips are regularly checked for proper installation. Replace any worn or defective parts.



Wiring Loom Fitting Instructions
To Suit Toyota Corolla
Part Number 100483-WL

Wiring Loom Installation Instructions

Toyota Corolla
Part No: 100483-WL
ECU: 04826

Tail Harness Length Required: 1200mm
RPA Override Switch Part No: 04848 (If Fitted)

Wiring Loom Installation Time: Approx. 30 Mins



Wiring Loom Fitting Instructions
To Suit Toyota Corolla
Part Number 100483-WL

1. In the luggage compartment, remove the parcel shelf.
2. Remove the floor cover carpet.
3. Remove the two tool storage trays by first removing the four fasteners.
4. Remove the rear trim, by first removing the two clips.
5. Remove the RHS & LHS tail light access panel covers.
6. Remove the LHS rear scuff plate.
7. Remove the LHS front scuff plate and kick panel.
8. From the outside of the vehicle, remove the LHS rear grommet located behind the LHS rear wheel.
9. Drill out the grommet hole to Ø31mm. File any rough or sharp edges and spray on rust inhibitor.
10. On the LHS of the luggage compartment, un-tape the rear junction connector, located to the front of the vehicle.
11. Disconnect the rear junction connector from the splice connector.
12. Patch the trailer harness (P/No: 100483-WL) connectors in between the rear junction connector and the splice connector.
13. Route the trailer harness from the LHS across the rear of the luggage compartment towards the RHS of the vehicle.
14. Locate the RHS tail light wiring loom.
15. Carefully splice open the wiring loom and locate the right indicator 'LIGHT BLUE' wire.
16. Following the table below, connect the supplied ezy tap to the vehicle harness wire, then connect the trailer harness terminal to the ezy tap.

Function	Trailer Patch	Vehicle Connector
R.IND	GREEN / BLACK	LIGHT BLUE

17. Route the orange power wire from the rear of the vehicle, along the LHS towards the front of the vehicle.
18. Under the LHS dash, locate and remove the fuse panel cover.
19. Place the fuse panel cover in the vehicle glove compartment for safe keeping.
20. Insert the supplied 20-amp fuse into the upper slot of the add-a-fuse harness.



Wiring Loom Fitting Instructions
To Suit Toyota Corolla
Part Number 100483-WL

21. Plug the add-a-fuse harness into an available fuse slot on the fuse panel.
22. Connect the orange power wire 1-way connector into the add-a-fuse harness mating connector.
23. In the luggage compartment, connect the trailer harness ground ring terminal to the existing vehicle bolt.
24. Connect the trailer harness 12-way connector to the ECU (04826).
25. Apply double sided tape to the ECU and adhere it to the vehicle sheet metal on the LHS just below the LHS tail light area.
26. Mount the trailer socket to the towbar mounting bracket using M4 fasteners (not supplied).
27. Route the tail harness across the towbar towards the LHS of the vehicle and up through the previously drilled out hole.
28. Ensure the tail harness grommet is seated correctly and secure in place using a cable tie (not supplied).
29. Connect the tail harness (tail length 1200mm) 8-way connector to the trailer harness mating 8-way connector.
30. Test the trailer socket using a light board or multi-meter.
31. Secure the all harnesses using cables ties (not supplied).
32. Re-fit all removed parts and secure all fasteners, ensuring there are no squeaks or rattles.
33. Place the instructions in the glove box after fitment.