

# Fitting Instructions



SKU

PRODUCT

**TXR807**

**TAG 4x4 Recovery Towbar to suit Volkswagen Amarok (09/2016 - on), Volkswagen Amarok (09/2011 - on)**



Scan for latest version of these instructions

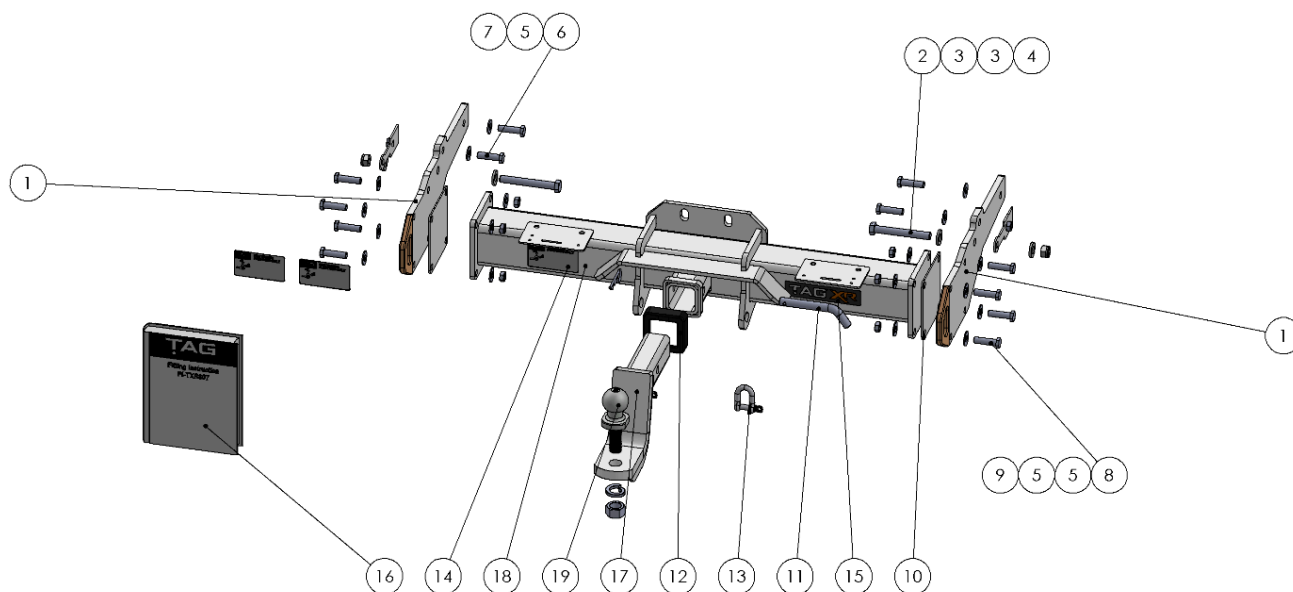
## SPECIFICATIONS

- Towbar Class: Extreme Recovery
- Towing Capacity: 3500kg

## IN THIS GUIDE

- Fitment Instructions
- Torque Settings
- Warranty Info

# Towbar Fitting Instructions



Tools required: 18mm Spanners and or Sockets, 33mm Socket, Torque wrench, Impact Wrench

ITEM NO.	DESCRIPTION	QTY.	ITEM NO.	DESCRIPTION	QTY.
1	Recovery Point End Plate	2	11	Class 4 Pin & Clip	1
2	M14 x 1.5 x 110	2	12	TAG Hitch Receiver Cover	1
3	M14 Flat Washer	4	13	TAG D-Shackle	2
4	M14 x 1.5 Nyloc Nut	2	14	TAG Compliance plate	3
5	M12 Flat Washer	20	15	TAG XR Sticker	1
6	M12 x 1.5 x 45 Bolt	4	16	Fitting Instruction	1
7	M12 x 1.5 Nut on Plate	2	17	PC Ball Mount	1
8	M12 x 1.25 x 45 Bolt	8	18	Welded Assembly TXR807	1
9	M12 x 1.25 Nut	8	19	TAG Tow Ball 50mm, 3.5t	1
10	3mm End Plate Spacer	2			

## Step-By-Step Instructions

### Warning:

- This product is for towing purposes only and must only be loaded as shown in your vehicle Owner's Manual.
- This towbar is NOT to be drilled, cut, welded, or modified in any way.
- Check behind chassis rail and body panels before drilling to ensure no hazards are present
- All load ratings shown are under the assumption your trailer has a functional braking system installed
- When installed in positions other than the one depicted in these instructions the Tow Ball Mount may interfere or obstruct certain features of your vehicle (tailgate opening, chassis clearance, etc.)

### General:

- Before fitting this towbar read fitting instructions and check installation hardware is correct.
- Check that the towbar is suitable for the vehicle and be wary of any changes to the vehicle design that may conflict with the fitting of this towbar. (Tray, Canopy, Suspension etc.)
- After drilling, blow any filings clear, remove any swarf and treat exposed metal with a rust inhibitor.
- The high tensile fasteners supplied with this product are an integral feature to achieving the specified rating, if replacement is required ensure that fasteners of the same grade (8.8) & quality are used. Contact an authorised TAG distributor or the TAG fitment centre - (07) 3208 3022 - if further information is required.

### Towbar Maintenance and Care:

It is recommended, when not in use, the Tow Ball Mount assembly and class 4 Pin and Clip is stored inside the car away from moisture to prevent standing water from forming rust. Inspect to ensure, on regular basis, fasteners are torqued to the specifications below and in good condition.

**Ensure that the fitting instructions are read and understood prior to fitment**

**Place these instructions in the vehicle's glovebox after installation is completed**

# Towbar Fitting Instructions



## Step 1. Fit Towbar

- a. Lay out the fitting kit next to the towbar with the fasteners in their respective positions on the towbar and ensure all hardware to be included is in the kit and correct
- b. Mate the endplate to the chassis rail and loosely secure using 1 X M14 x 2 x 110 bolt, washers, and nut through the chassis rail (where there is an existing crush tube on the inside of the chassis rail)
- c. Secure the rest of the endplate with 1 X M12 x 1.5 x 45 bolt and flat washers into the captive nut and 1 X M12 x 1.55 x 45 bolt and flat washer into the plate with wire and nut
- d. Repeat for the other side
- e. Fit the welded assembly to the endplates and loosely secure using 8 X M12 x 1.25 x 45 bolts, washers, and nuts

**NOTE: if a gap larger than 6mm is present use the provided spacer plates**

- f. Torque all fasteners to their specified torque ratings (see table)

## Step 2. Apply Door Sticker

- a. Apply one of the compliance labels to the pillar of the driver's door. Leave the remaining label & the fitting instructions in the vehicle handbook.



## Torque table for bolt tightening

Diameter	Pitch	Grade	Torque	Unit
M8	1.25	8.8	29	Nm
M10	1.25	8.8	57	Nm
M10	1.50	8.8	44	Nm
M12	1.25	8.8	101	Nm
M12	1.50	8.8	97	Nm
M12	1.75	8.8	77	Nm
M14	2.00	8.8	122	Nm
M16	2.00	8.8	190	Nm

## TAG Warranty Statement

SWD warrants your TAG Towbar for its full product life under the following conditions:

- You can show proof of purchase.
- The towbar has been correctly installed by a suitably qualified installer.
- The towbar has not been modified or abused in any way and has only been used for the purpose intended.
- The towbar was not fitted second hand to your vehicle.

The extent of this warranty includes materials and workmanship used in the manufacture of the towbar and is to the equivalent value of current, full replacement cost.

Nothing stated or implied in this warranty limits in any way, the statutory rights that you may have.

To make a claim visit the original installer in the first instance or, if you are unable to or are not satisfied with their help, then contact us direct by phone on 1300 669122 or visit [www.swd.com.au](http://www.swd.com.au)