

# Fitting Instructions



SKU

PRODUCT

**TXR818**

**TAG 4x4 Recovery Towbar to suit  
Toyota Prado (08/2009 - 08/2020)**



Scan for latest  
version of these  
instructions

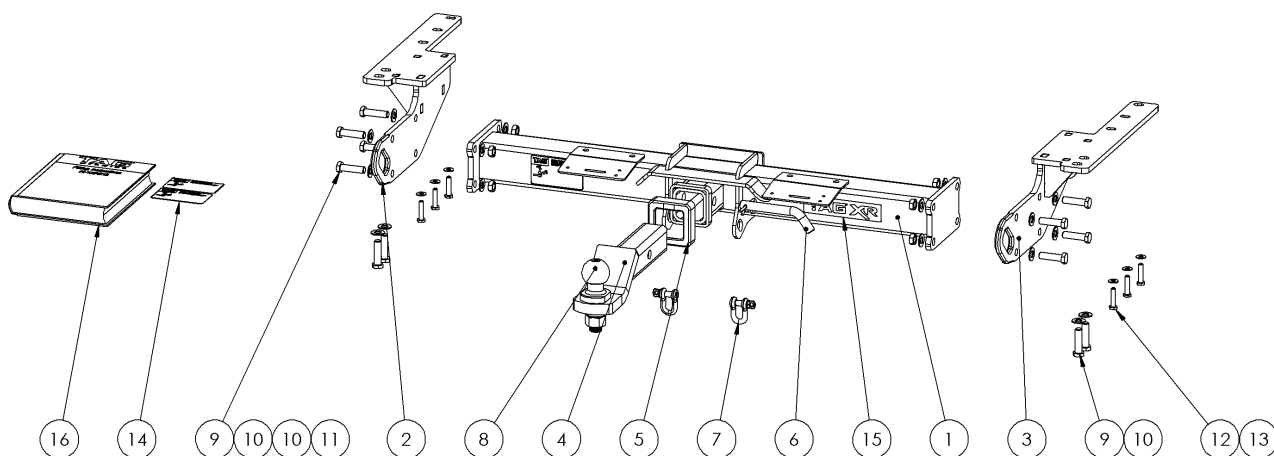
## SPECIFICATIONS

- Towbar Class: Extreme Recovery
- Towing Capacity: 3000kg

## IN THIS GUIDE

- Fitment Instructions
- Torque Settings
- Warranty Info

# Towbar Fitting Instructions



Item No.	Description	QTY.
1	Towbar Centre Section TXR818	1
2	End Plate Assembly PS TXR818	1
3	End Plate Assembly DS TXR818	1
4	L4045 Ball Mount	1
5	Cover Hitch Receiver Collar TAG	1
6	Class 4 Pin & Clip	1
7	D-Shackle - 10mm, 1000kg, Carbon Steel	2
8	50mm TAG Tow Ball with Flat edge - Chrome	1
9	M12x1.25x45 Bolt	12

Item No.	Description	QTY.
10	M12 Flat Washer Zinc Clear	20
11	M12x1.25 Nut	8
12	M8x35 1.25 PITCH B/O GR8.8 ZINC CLEAR HEX HEAD	6
13	M8 FLAT WASHER FLAT ROUND ZINC CLEAR	6
14	TAG Compliance Sticker	3
15	TAG XR Sticker 150 x 33mm	1
16	Fitting Instruction	1
17	Tag WLL Sticker (Blank)	1

## Step-By-Step Instructions

### Warning:

- This product is for towing purposes only and must only be loaded as shown in your vehicle Owner's Manual.
- This towbar is NOT to be drilled, cut, welded, or modified in any way.
- Check behind chassis rail and body panels before drilling to ensure no hazards are present
- All load ratings shown are under the assumption your trailer has a functional braking system installed
- When installed in positions other than the one depicted in these instructions the Tow Ball Mount may interfere or obstruct certain features of your vehicle (tailgate opening, Chassis clearance, etc.)

### General:

- Before fitting this towbar read fitting instructions and check installation hardware is correct.
- Check that the towbar is suitable for the vehicle and be wary of any changes to the vehicle design that may conflict with the fitting of this towbar. (Tray, Canopy, Suspension etc.)
- After drilling, blow any filings clear, remove any swarf and treat exposed metal with a rust inhibitor.
- The high tensile fasteners supplied with this product are an integral feature to achieving the specified rating, if replacement is required ensure that fasteners of the same grade (8.8) & quality are used. Contact an authorised TAG distributor or the TAG fitment centre - (07) 3208 3022 - if further information is required.

### Towbar Maintenance and Care:

It is recommended, when not in use, the Tow Ball Mount assembly and class 4 Pin and Clip is stored inside the car away from moisture to prevent standing water from forming rust. Inspect to ensure, on regular basis, fasteners are torqued to the specifications below and in good condition.

**Ensure that the fitting instructions are read and understood prior to fitment**

**Place these instructions in the vehicle's glovebox after installation is completed**

# Towbar Fitting Instructions



## Step 1. Lower Fuel Tank Protector & Fit Towbar

- a. Remove 4 x M8 bolts securing fuel tank protector to the chassis rails and discard bolts.
- b. Fuel tank protector will remain supported by a 5th centre bolt towards the front of vehicle. Loosen this bolt and provide additional support if required.
- c. Lower exhaust by unhooking from rearmost hanger. Lower and support exhaust.
- d. Offer towbar endplates to the chassis rails and loosely secure with the 4 x M12x 1.25x 45 bolts with flat washers (2 Per Side).
- e. Raise fuel tank protector to the base of the towbar endplates & secure with 4 x M8x 1.25x 35 bolts supplied (2 Per Side).
- f. Lift towbar to align with endplates and loosely secure with 8 x M12 bolt sets (4 per side).
- g. Beginning with the chassis bolts, fasten all bolts to the recommended torque spec (see table).

g. Refit exhaust.

## Step 2. Apply Door Label & Fit Ball Mount

- a. Apply one of the compliance labels to the pillar of the driver's door. Leave the remaining label & the fitting instructions in the vehicle handbook.
- b. Fit Ball Mount, insert pin & clip to towbar and attach tow ball..



## Torque table for bolt tightening

Diameter	Pitch	Grade	Torque	Unit
M8	1.25	8.8	29	Nm
M10	1.25	8.8	57	Nm
M10	1.50	8.8	44	Nm
M12	1.25	8.8	101	Nm
M12	1.50	8.8	97	Nm
M12	1.75	8.8	77	Nm
M14	2.00	8.8	122	Nm
M16	2.00	8.8	190	Nm

## TAG Warranty Statement

SWD warrants your TAG Towbar for its full product life under the following conditions:

- You can show proof of purchase.
- The towbar has been correctly installed by a suitably qualified installer.
- The towbar has not been modified or abused in any way and has only been used for the purpose intended.
- The towbar was not fitted second hand to your vehicle.

The extent of this warranty includes materials and workmanship used in the manufacture of the towbar and is to the equivalent value of current, full replacement cost.

Nothing stated or implied in this warranty limits in any way, the statutory rights that you may have.

To make a claim visit the original installer in the first instance or, if you are unable to or are not satisfied with their help, then contact us direct by phone on 1300 669122 or visit [www.swd.com.au](http://www.swd.com.au)