

Fitting Instructions



SKU

PRODUCT

TXR836

**TAG 4x4 Recovery Towbar to suit
Next-Gen Ford Ranger
(Cab Chassis 06/2022 - on)**



Scan for latest
version of these
instructions

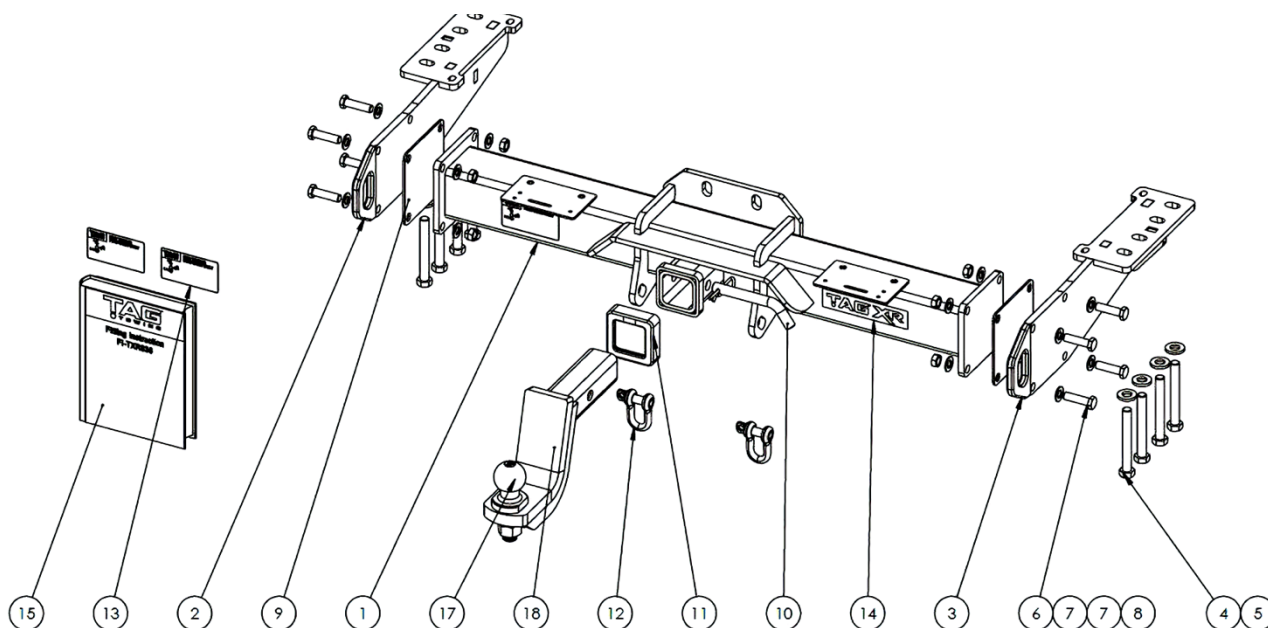
SPECIFICATIONS

- Towbar Class: Extreme Recovery
- Towing Capacity: 3500kg

IN THIS GUIDE

- Fitment Instructions
- Torque Settings
- Warranty Info

Towbar Fitting Instructions



Tools Required: Spanners, Sockets, Torque wrench

Item No.	Description	QTY.	Item No.	Description	QTY.
1	Welded Assembly TXR836	1	10	Class 4 Pin & Clip	1
2	End Plate Assy TXR836	1	11	TAG Hitch Cover	1
3	End Plate Assy TXR836 DS	1	12	D-Shackle	2
4	M14 x 2 x 110 Hex Bolt	8	13	TAG Compliance Sticker	3
5	M14 Flat Washer	8	14	TAG XR Sticker 150 x 33mm	1
6	M12 x 1.25 x 45 Hex Bolt	8	15	Fitting Instruction	1
7	M12 Flat Washer Zinc Clear	16	16	Tag WLL Sticker	1
8	M12x1.25 Nut	8	17	50mm TAG Tow Ball	1
9	End Plate Spacer 3mm	2	18	Powder Coated Ball Mount	1

Step-By-Step Instructions

Warning:

- This product is for towing purposes only and must only be loaded as shown in your vehicle Owner's Manual.
- This towbar is NOT to be drilled, cut, welded, or modified in any way.
- Check behind chassis rail and body panels before drilling to ensure no hazards are present
- All load ratings shown are under the assumption your trailer has a functional braking system installed
- When installed in positions other than the one depicted in these instructions the Tow Ball Mount may interfere or obstruct certain features of your vehicle (tailgate opening, Chassis clearance, etc.)

General:

- Before fitting this towbar read fitting instructions and check installation hardware is correct.
- Check that the towbar is suitable for the vehicle and be wary of any changes to the vehicle design that may conflict with the fitting of this towbar. (Tray, Canopy, Suspension etc.)
- After drilling, blow any filings clear, remove any swarf and treat exposed metal with a rust inhibitor.
- The high tensile fasteners supplied with this product are an integral feature to achieving the specified rating, if replacement is required ensure that fasteners of the same grade (8.8) & quality are used. Contact an authorised TAG distributor or the TAG fitment centre - (07) 3208 3022 - if further information is required.

Towbar Maintenance and Care:

It is recommended, when not in use, the Tow Ball Mount assembly and class 4 Pin and Clip is stored inside the car away from moisture to prevent standing water from forming rust. Inspect to ensure, on regular basis, fasteners are torqued to the specifications below and in good condition.

Ensure that the fitting instructions are read and understood prior to fitment

Place these instructions in the vehicle's glovebox after installation is completed

Towbar Fitting Instructions



Step 1. Fit Towbar

- a. Remove taillight assembly from chassis rails and move it out of the way of the mounting holes needed
- b. Loosely secure the end plates to the chassis by inserting 4x M14x 2.0x 140 bolts with flat washers.
- c. Repeat on opposite side.
- d. Lift main bar up to end plates with 3mm spacer plate between the main bar and end plates. Loosely secure with 4x M12x1.25x 40 Bolts with flat washers & nuts.
- e. Repeat on opposite side.
- f. Beginning with the M14 chassis bolts, tighten all bolts to the specific torque (see table)

Step 2. Fit Ball Mount and Apply Door Sticker

- a. Attach plastic hitch surround to receiver.
- b. Insert ball mount into hitch receiver and secure with the pull pin and R-clip.
- c. Apply one of the compliance labels to the pillar of the driver's door.
- d. Leave the remaining label & the fitting instructions in the vehicle handbook.



Step 3. Cut Bumper

The towbar installer is ultimately responsible for the location & quality of the bumper cut. To avoid mistakes, please use the following measurements as a guide only. We suggest making small incremental cuts and regularly test fit the bumper to ensure an accurate and tidy appearance.

- a. To separate the centre fascia trim from the bumper, remove 4x small phillips screws from inside the bumper. 2x either side of centre & 1 each at the outer edge of the fascia trim. Retain screws.
- b. Release the tabs protruding through the contour groove whilst gently peeling the fascia trim away from the main skin. Set trim aside.
- c. Release the reverse sensor harness from the two outer square harness mounts inside the bumper.
- d. Hold a ruler or straight edge on each side of square harness mount and draw a line up to bumper edge.
- e. Using an air hacksaw or similar cut bumper along lines and across the top of each harness block.
Note. This cut can be adjusted as it is unseen from the outside once the fascia trim is installed.
- f. Temporarily re-fit the bumper to check clearances.
- g. Establish the centreline of the fascia trim. Measure and mark 485mm & 525mm toward the outside. Using these marks as a guide, measure, and mark 130mm up toward the trim contour. Mark a 20mm radius at the top end of the cut for a neat finish to the pinch-weld.
- h. Repeat on opposite side.
- i. Using an air hacksaw or similar carefully cut the fascia trim. De-burr all cut edges with a file.
- j. Apply the supplied pinch-weld to the fascia trim and cut off any excess at the bottom edge of the bumper.
- k. Re-install fascia trim onto main bumper
- l. Using a 5mm drill bit carefully drill a hole in the centre of 2x tabs adjacent to the cut trim area.
- m. Cable-tie the loose reverse sensor harness to the drilled tabs. Repeat on opposite side.
- n. Refit the bumper in reverse of steps 1a-f.

Towbar Fitting Instructions



Step 4. Fit Ball Mount and Apply Door Sticker

- Attach plastic hitch surround to receiver.
- Insert ball mount into hitch receiver and secure with the pull pin and R-clip.
- Apply one of the compliance labels to the pillar of the driver's door.
- Leave the remaining label & the fitting instructions in the vehicle handbook.



Torque table for bolt tightening

Diameter	Pitch	Grade	Torque	Unit
M8	1.25	8.8	29	Nm
M10	1.25	8.8	57	Nm
M10	1.50	8.8	44	Nm
M12	1.25	8.8	101	Nm
M12	1.50	8.8	97	Nm
M12	1.75	8.8	77	Nm
M14	2.00	8.8	122	Nm
M16	2.00	8.8	190	Nm
Imperial Bolt Torque Settings				
3/8"	UNC	8	44.75	Nm
1/2"	UNC	8	108.5	Nm

TAG Warranty Statement

SWD warrants your TAG Towbar for its full product life under the following conditions:

- You can show proof of purchase.
- The towbar has been correctly installed by a suitably qualified installer.
- The towbar has not been modified or abused in any way and has only been used for the purpose intended.
- The towbar was not fitted second hand to your vehicle.

The extent of this warranty includes materials and workmanship used in the manufacture of the towbar and is to the equivalent value of current, full replacement cost.

Nothing stated or implied in this warranty limits in any way, the statutory rights that you may have.

To make a claim visit the original installer in the first instance or, if you are unable to or are not satisfied with their help, then contact us direct by phone on 1300 669122 or visit www.swd.com.au