

Fitting Instructions



SKU

PRODUCT

TXR843

TAG 4x4 Recovery Towbar to suit Next-Gen Ford Ranger (Styleside Ute 06/2022 - on)



Scan for latest version of these instructions

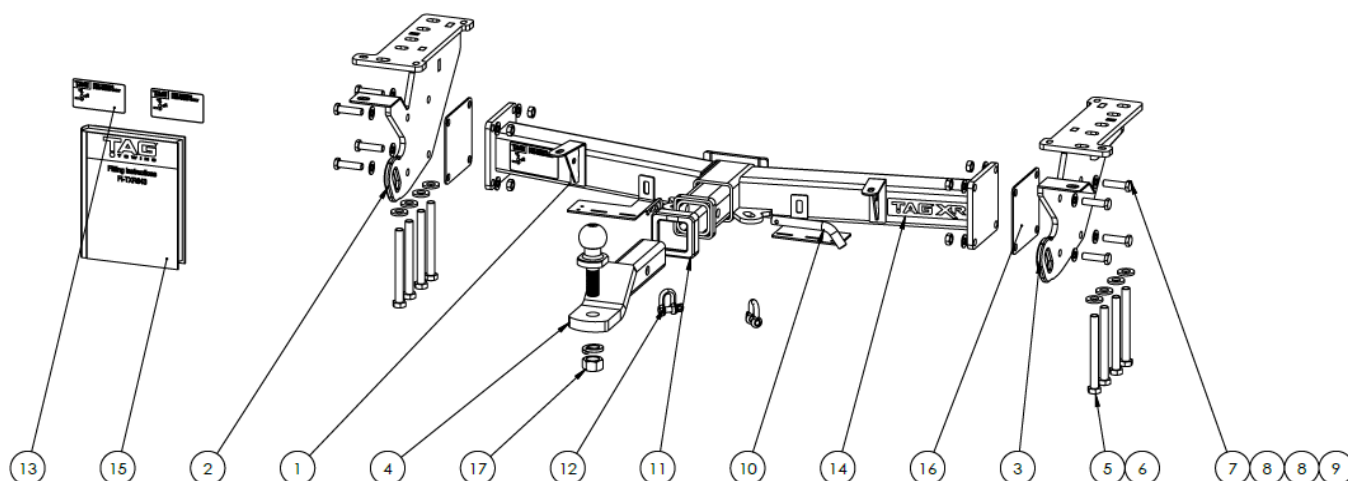
SPECIFICATIONS

- Towbar Class: Extreme Recovery
- Towing Capacity: 3500kg

IN THIS GUIDE

- Fitment Instructions
- Torque Settings
- Warranty Info

Towbar Fitting Instructions



Tools Required: Spanners, Sockets, Torque wrench

Item No.	Description	QTY.	Item No.	Description	QTY.
1	Weld Assembly for TXR843	1	10	Class 4 Pin & Clip	1
2	End Plate Assy TXR843 PS	1	11	Tag Hitch Cover	1
3	End Plate Assembly T7F838 DS	1	12	D-Shackle	2
4	L4045 Powder Coated TBM	1	13	TAG Compliance Sticker	3
5	M14 x 2 x 140 Bolt	8	14	TAG XR Sticker 150 x 33mm	1
6	M14 Flat Washer	8	15	Fitting Instruction	1
7	M12 x 1.25 x 45 Bolt	8	16	End Plate Spacer	2
8	M12 Flat Washer Zinc Clear	16	17	50mm TAG Tow Ball	1
9	M12 x 1.25 Nut	8			

Step-By-Step Instructions

Warning:

- This product is for towing purposes only and must only be loaded as shown in your vehicle Owner's Manual.
- This towbar is NOT to be drilled, cut, welded, or modified in any way.
- Check behind chassis rail and body panels before drilling to ensure no hazards are present
- All load ratings shown are under the assumption your trailer has a functional braking system installed
- When installed in positions other than the one depicted in these instructions the Tow Ball Mount may interfere or obstruct certain features of your vehicle (tailgate opening, Chassis clearance, etc.)

General:

- Before fitting this towbar read fitting instructions and check installation hardware is correct.
- Check that the towbar is suitable for the vehicle and be wary of any changes to the vehicle design that may conflict with the fitting of this towbar. (Tray, Canopy, Suspension etc.)
- After drilling, blow any filings clear, remove any swarf and treat exposed metal with a rust inhibitor.
- The high tensile fasteners supplied with this product are an integral feature to achieving the specified rating, if replacement is required ensure that fasteners of the same grade (8.8) & quality are used. Contact an authorised TAG distributor or the TAG fitment centre - (07) 3208 3022 - if further information is required.

Towbar Maintenance and Care:

It is recommended, when not in use, the Tow Ball Mount assembly and class 4 Pin and Clip is stored inside the car away from moisture to prevent standing water from forming rust. Inspect to ensure, on regular basis, fasteners are torqued to the specifications below and in good condition.

Ensure that the fitting instructions are read and understood prior to fitment

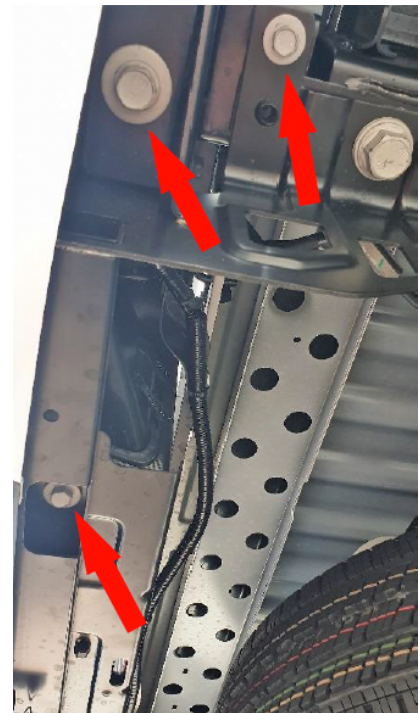
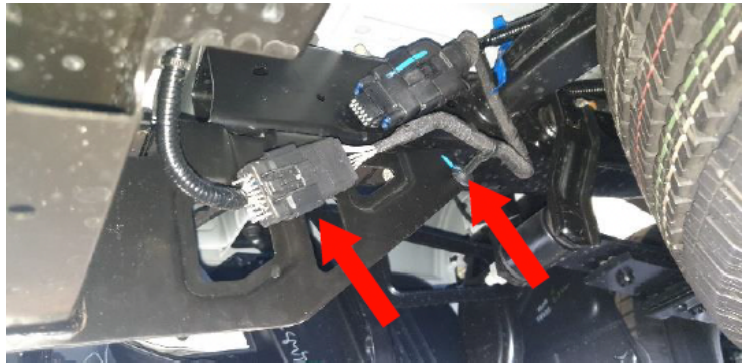
Place these instructions in the vehicle's glovebox after installation is completed

Towbar Fitting Instructions



Step 1. Remove Bumper

- a. On the passenger side of the bumper bracket disconnect & remove the harness from 2x fixing points.
- b. Remove 1x M12 bolt (18mm socket) & 1x M10 bolts (13mm Socket) from the end of each chassis rail.
- c. Remove 2x M10 bolts (13mm Socket) from the underside of the centre of the bumper.
- d. Remove bumper from bumper bracket.
- e. Retain all bolts from steps a-d.
- f. Remove the bumper bracket from the chassis via 4x M14 bolts (24mm socket).
- g. Discard bumper bracket & M14 bolts.



Towbar Fitting Instructions



Step 2. Cut bumper

The towbar installer is ultimately responsible for the location & quality of the bumper cut. To avoid mistakes, please use the following measurements as a guide only. We suggest making small incremental cuts and regularly test fit the bumper to ensure an accurate and tidy appearance. The additional application of rubber pinch-weld around the cut edge ensures a neat & tidy look.

- Establish the centreline of the bumper and mark. Measure 45mm out on each side of centre.
- Mark & measure a line 15mm down & parallel to the split-line below the step tread.
- Connect the two outer lines of step a to the lateral line of step b.
- Carefully cut the bumper using an air saw or similar cutting tool.
- Deburr all cut edges.



Step 3. Fit towbar

- Loosely secure the end plates to the chassis by inserting 4x M14x 2.0x 140 bolts with flat washers.
- Repeat on opposite side.
- Lift main bar up to end plates with 3mm spacer plate between the main bar and end plates. Loosely secure with 4x M12x1.25x 40 Bolts with flat washers & nuts.
- Repeat on opposite side.
- Beginning with the M14 chassis bolts, tighten all bolts to the specific torque (pg. 2)
- Re-fit the bumper onto the towbar using original bolts.
- To complete the fitment, tidily cable tie the bumper harness to the laser-cut loops of the end plate assemblies..



Towbar Fitting Instructions



Step 3. Fit Ball Mount and Apply Door Sticker

- a. Attach plastic hitch surround to receiver.
- b. Insert ball mount into hitch receiver and secure with the pull pin and R-clip.
- c. Apply one of the compliance labels to the pillar of the driver's door.
- d. Leave the remaining label & the fitting instructions in the vehicle handbook.



Towbar Fitting Instructions



Torque table for bolt tightening

Diameter	Pitch	Grade	Torque	Unit
M8	1.25	8.8	29	Nm
M10	1.25	8.8	57	Nm
M10	1.50	8.8	44	Nm
M12	1.25	8.8	101	Nm
M12	1.50	8.8	97	Nm
M12	1.75	8.8	77	Nm
M14	2.00	8.8	122	Nm
M16	2.00	8.8	190	Nm

TAG Warranty Statement

SWD warrants your TAG Towbar for its full product life under the following conditions:

- You can show proof of purchase.
- The towbar has been correctly installed by a suitably qualified installer.
- The towbar has not been modified or abused in any way and has only been used for the purpose intended.
- The towbar was not fitted second hand to your vehicle.

The extent of this warranty includes materials and workmanship used in the manufacture of the towbar and is to the equivalent value of current, full replacement cost.

Nothing stated or implied in this warranty limits in any way, the statutory rights that you may have.

To make a claim visit the original installer in the first instance or, if you are unable to or are not satisfied with their help, then contact us direct by phone on 1300 669122 or visit www.swd.com.au