

# Fitting Instructions



SKU

**TXR863**

PRODUCT

**TAG 4x4 Recovery Towbar  
for Mitsubishi Triton MV  
(02/2024 – on) Style Side**

SPECIFICATIONS

- Towbar Class: CL 7 Extreme Recovery
- Towing Capacity: 3500kg
- Tow ball Weight: 350kg
- Recover Point WLL: 4000kg
- Approx. Fitment Time: 45 Minutes



Scan for latest version of these instructions

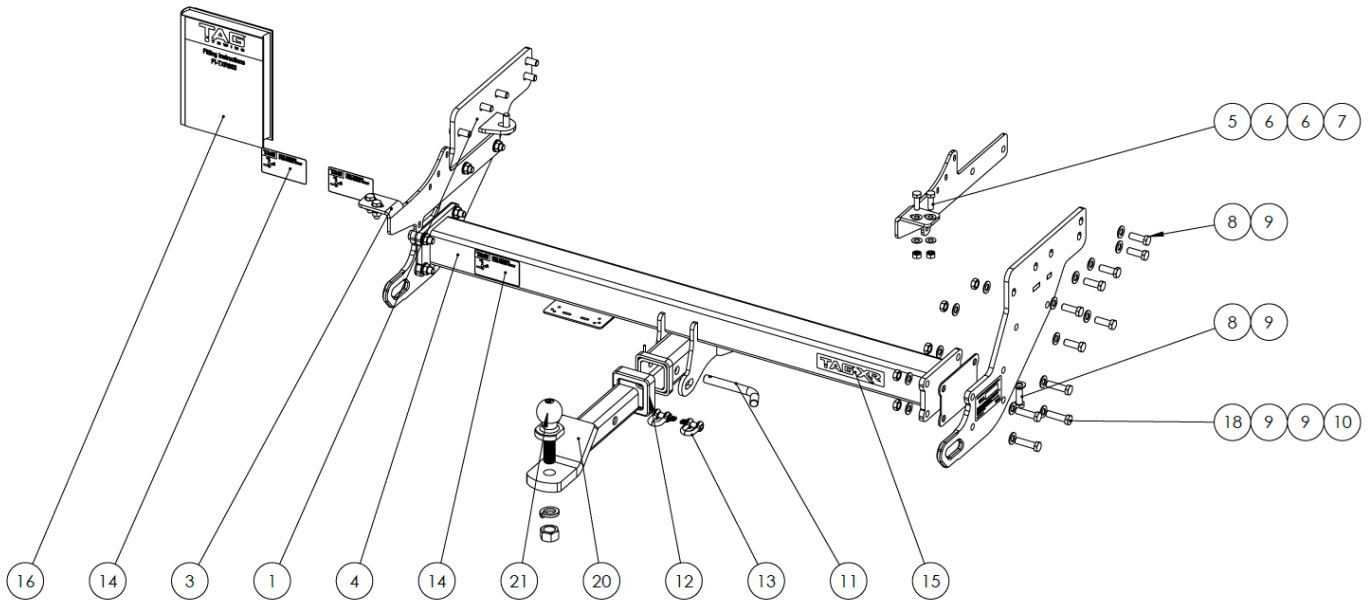
TOOLS REQUIRED

- Spanners
- Sockets
- Trim Removal Tool
- Torque Wrench

IN THIS GUIDE

- Fitment Instructions
- Torque Settings
- Warranty Info

# Towbar Assembly



Item No.	Description	QTY.	Item No.	Description	QTY.
1	TXR863 End Plate PS	1	12	Class 4 Pin & Clip	1
2	TXR863 End Plate DS	1	13	TAG Hitch Cover	1
3	Bumper Step Bracket	1	14	D-Shackle - 10mm. 1000kg	2
4	Bumper Step Bracket DS	1	15	TAG Compliance Sticker	3
5	Main Bar Assembly TXR863	1	16	TAG XR Sticker 150 x 33mm	1
6	M10 x 30 x 1.25 Bolt	4	17	Fitting Instruction	1
7	M10 Flat Washer	8	18	End Plate Spacer TXR818	2
8	M10 x 1.25 Nut	4	19	M12 x 1.25 x 45 Bolt	8
9	M12 x 1.25 x 35 Bolt	16	20	Tag WLL Sticker (Blank)	1
10	M12 Flat Washer	36	21	L4045 DURATEC POWDER COATED TBM	1
11	M12 x 1.25 Nut	12	22	50mm TAG Tow Ball Zinc Plated	1

# Important Information



## Warning:

- This product is for towing purposes only and must only be loaded as shown in your vehicle Owner's Manual.
- This towbar is NOT to be drilled, cut, welded, or modified in any way.
- Check behind chassis rail and body panels before drilling to ensure no hazards are present.
- All load ratings shown are under the assumption your trailer has a functional braking system installed.
- When installed in positions other than the one depicted in these instructions the Tow Ball Mount may interfere or obstruct certain features of your vehicle (tailgate opening, Chassis clearance, etc.)

## General:

- Before fitting this towbar read fitting instructions and check installation hardware is correct.
- Check that the towbar is suitable for the vehicle and be wary of any changes to the vehicle design that may conflict with the fitting of this towbar. (Tray, Canopy, Suspension etc.)
- After drilling, blow any filings clear, remove any burrs and treat exposed metal with a rust inhibitor.
- The high tensile fasteners supplied with this product are an integral feature to achieving the specified rating, if replacement is required ensure that fasteners of the same grade (8.8) & quality are used. Contact an authorised TAG distributor or the TAG fitment center - (07) 3208 3022 - if further information is required.

## Towbar Maintenance and Care:

It is recommended, when not in use, that the Tow Ball Mount assembly and class 4 Pin and Clip is stored inside the car away from moisture to prevent standing water from forming rust. Inspect to ensure, on regular basis, fasteners are torqued to the specifications below and in good condition.

Ensure that the fitting instructions are read and understood prior to fitment, Following the fitment place these instructions in the vehicle's glovebox after installation is completed.

*Metric Bolt Torque Settings*

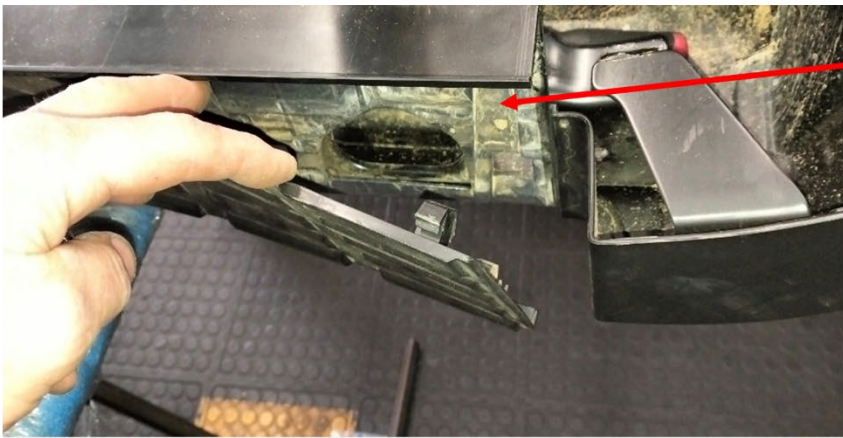
Diameter	Pitch	Grade	Torque	Unit		Diameter	Pitch	Grade	Torque	Unit
M8	1.25	8.8	29	Nm		M12	1.25	10.9	125	Nm
M10	1.25	8.8	57	Nm		M12	1.50	10.9	105	Nm
M10	1.50	8.8	44	Nm		M14	1.25	10.9	195	Nm
M12	1.25	8.8	101	Nm		M14	1.50	10.9	165	Nm
M12	1.50	8.8	97	Nm		M16	1.25	10.9	295	Nm
M12	1.75	8.8	77	Nm		M16	1.50	10.9	250	Nm
M14	2.00	8.8	122	Nm		50mm Tow Ball	N/A	N/A	300	Nm
M16	2.00	8.8	190	Nm		70mm Tow Ball	N/A	N/A	750	Nm

# Installation Instructions

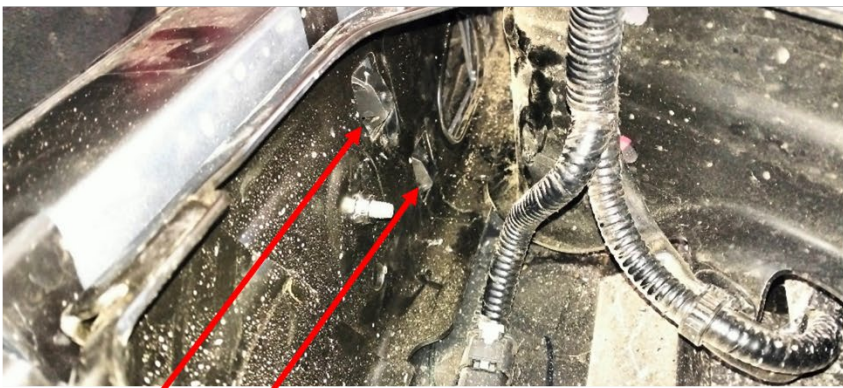


## Step 1: Remove & Dismantle Rear Bumper

- Lower the spare wheel.
- Disconnect the bumper sensor harness on each side.
- Remove the harness clips from the bumper mount on the passenger side in 4 places.
- Remove and discard 2x M12 bolts from each chassis rail.
- Remove the bumper bar.
- Remove the AdBlue tank protector.
- Remove the 2x outer plastic covers on the bumper to reveal the mounting bolts. Remove & discard bumper mounts and the bolts.
- Fit the supplied bumper mounts to the bumper with the supplied M10 x 1.25 x 30 bolts. Loosely fasten underneath with the M10 nuts & flat washers.



Insert trim tool **HERE** between the



Disengage the clips to separate the step cover from the bumper body.

Remove bolts from bumper bar mounts.



## Step 2: Fit towbar

- a. Lift towbar up to chassis and align holes in endplates with those of the chassis.
- b. Insert 6 x M12 x 1.25 x 50 bolts with flat washers in each chassis rail.
- c. Beginning with the bolts in the bottom of each chassis rail, tighten all bolts to the torque specification on page 3.
- d. Loosely fasten the bumper bar with new mounts to the inside of the towbar endplates with 2 x M12 x 1.25 x 30 bolts, flat washers and nuts per side.
- e. Align the bumper to the vehicle and tighten all bolts according to the torque specification on page 3.
- f. Re-connect the bumper sensor harness on each side.
- g. Connect the harness clips to the bumper mount on the passenger side in 4 places
- h. Re-install the plastic covers on the bumper bar.



Loosely fasten the bumper bar with new mounts to the inside of the towbar endplates with 2 x M12 x 1.25 x 30 bolts, flat washers and nuts per side.

# Installation Instructions



---

## Step 3: Complete Towbar & Apply Spare Compliance Label

---

- a. Attach TAG Hitch cover with rubber mallet carefully to prevent breaking.
- b. Attach Tow ball to Ball Mount and slide into receiver. Secure with Pull pin and Clip if you are going to tow straight away. Alternatively, secure the Ball Mount in a safe place inside your vehicle.
- c. Apply one of the compliance labels to the pillar of the driver's door. Leave the remaining label and the fitting instructions in the vehicle handbook.



# TAG Warranty Statement



SWD warrants your TAG Towbar for its full product life under the following conditions:

- You can show proof of purchase.
- The towbar has been correctly installed by a suitably qualified installer.
- The towbar has not been modified or abused in any way and has only been used for the purpose intended.
- The towbar was not fitted second hand to your vehicle.

The extent of this warranty includes materials and workmanship used in the manufacture of the towbar and is to the equivalent value of current, full replacement cost.

Nothing stated or implied in this warranty limits in any way, the statutory rights that you may have.

To make a claim visit the original installer in the first instance or, if you are unable to or are not satisfied with their help, then contact us direct by phone on 1300 669122 or visit [www.swd.com.au](http://www.swd.com.au).