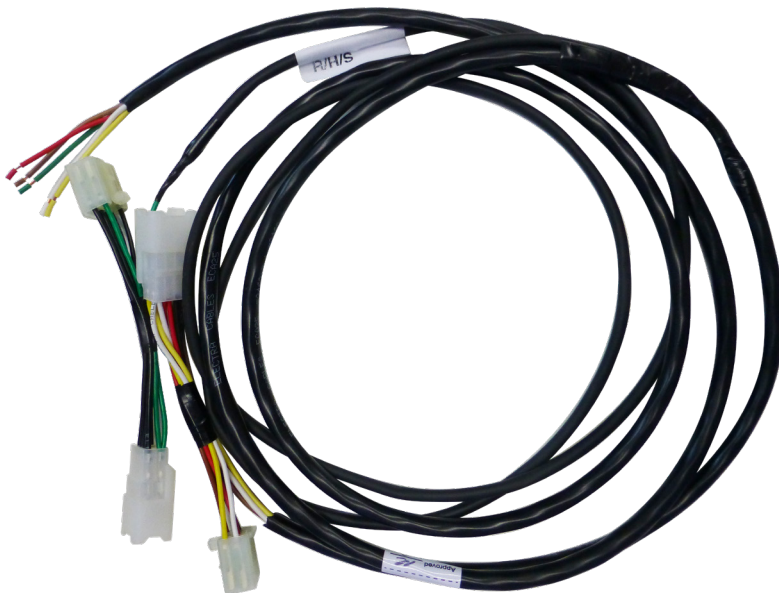


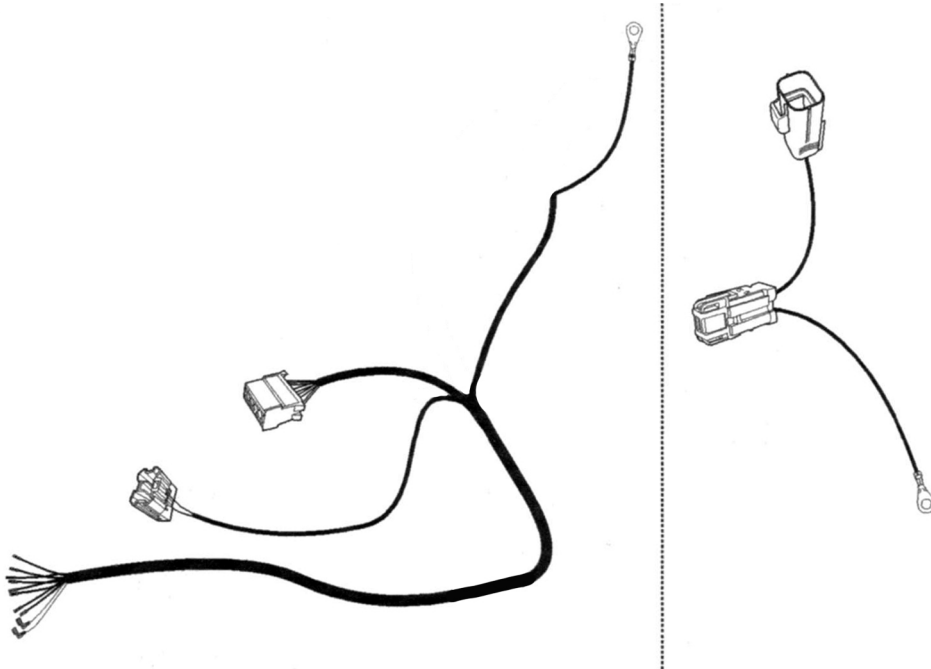
## HYUNDAI GETZ TB HATCH 09/02 – 06/09

PART NO.

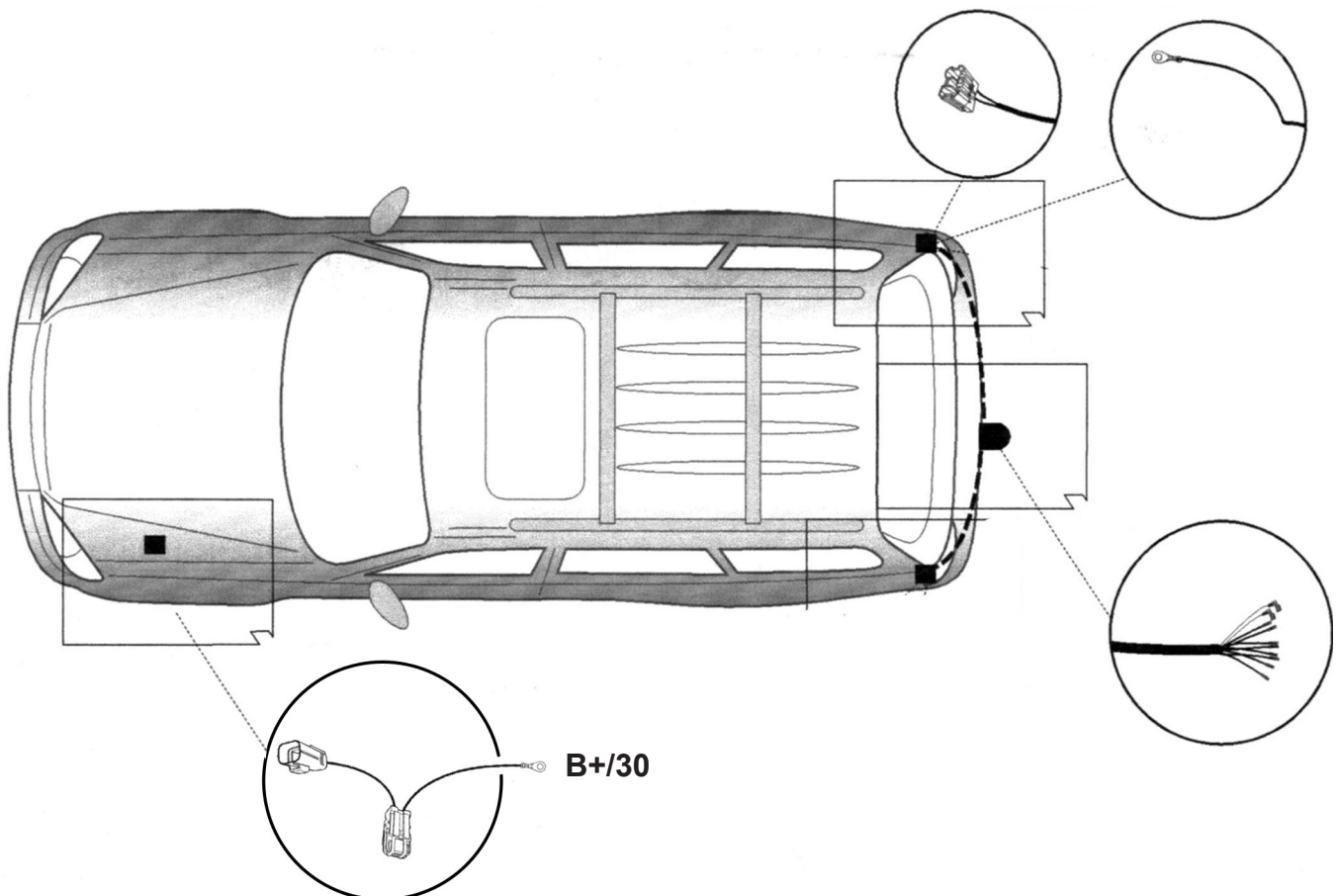
**UNT295**

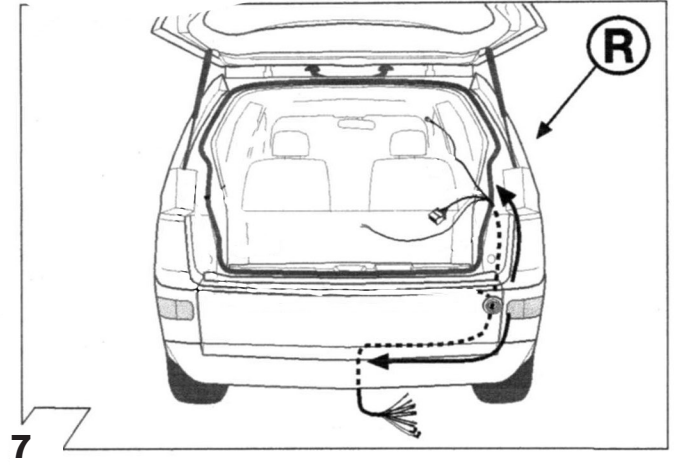
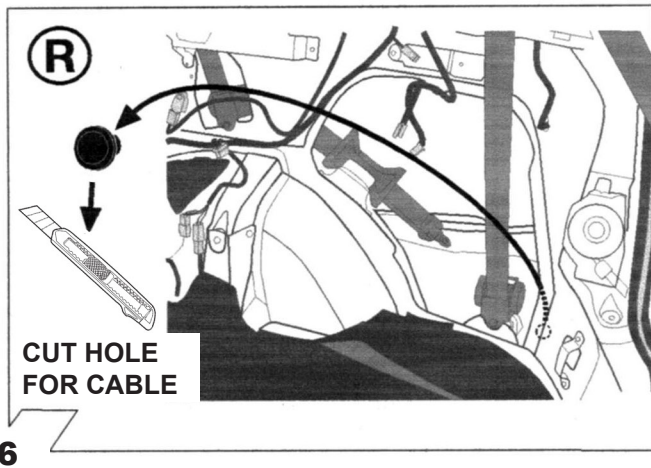
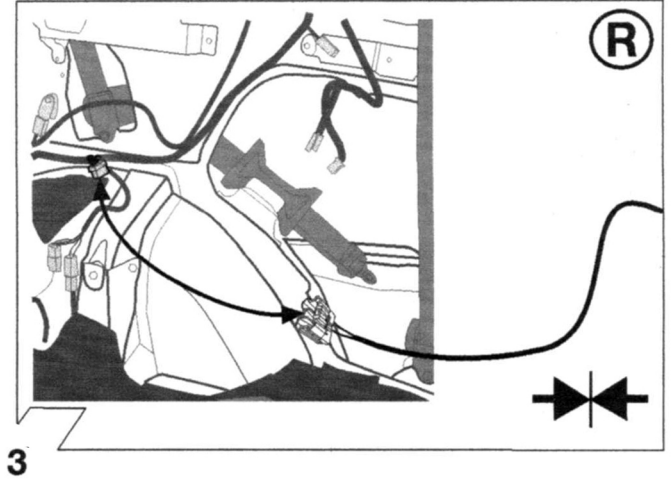
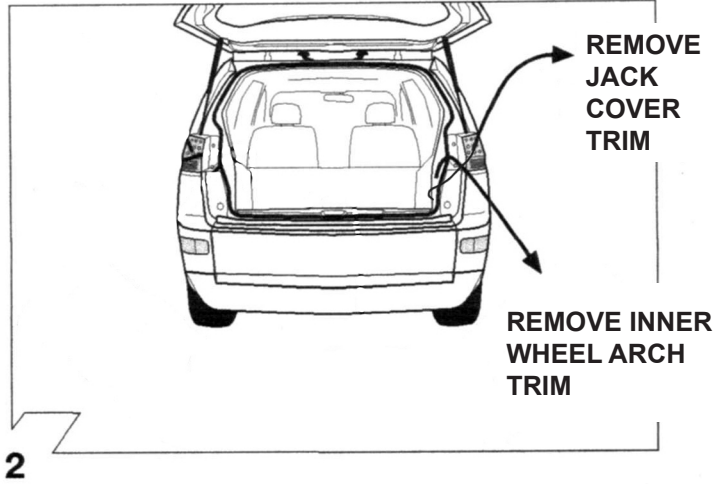
1. Remove floor cover and expose spare wheel.
2. Remove the rear centre trim.
3. Remove the L/H/S & R/H/S trim panels.
4. On the Drivers side locate and remove the 6 way connector leading at the taillight and disconnect.
5. On the Towbar Wiring Harness look for the cable marked R/H/S
6. Connect the pair of 6 way connectors to the corresponding 6 way connectors on the Drivers side.
7. Feed the remaining wiring harness down the side of the trim panel area and feed across the rear of vehicle to the passenger side. Ensure that the cable cannot be pinched when the trims are replaced.
8. Repeat steps 4, 5 & 6 for the Passenger side.
9. In the spare wheel well, near to the spare wheel, locate a grommet.
10. Pierce the grommet in the centre to allow the wiring harness to be fed through the grommet and out under the vehicle.
11. Fit the required socket to the wiring harness and mount the plug to the desired position.
12. Using cable ties secure the wiring harness to meet the required length.
13. Replace the L/H/S & R/H/S trim panels.
14. Replace the rear centre trim and the floor cover.
15. Test towbar wiring with a trailer testing box.

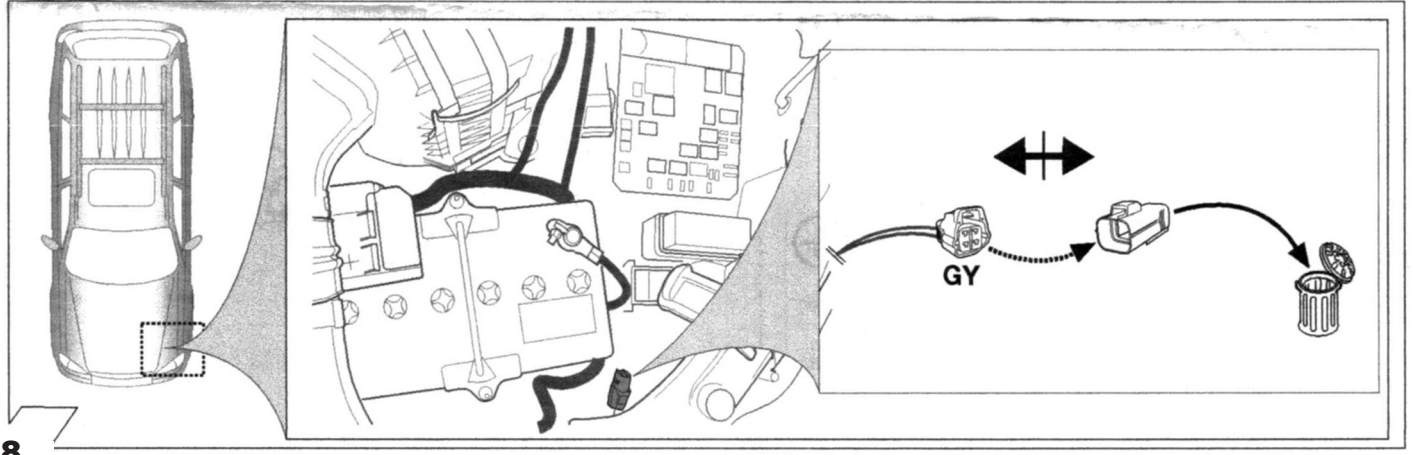




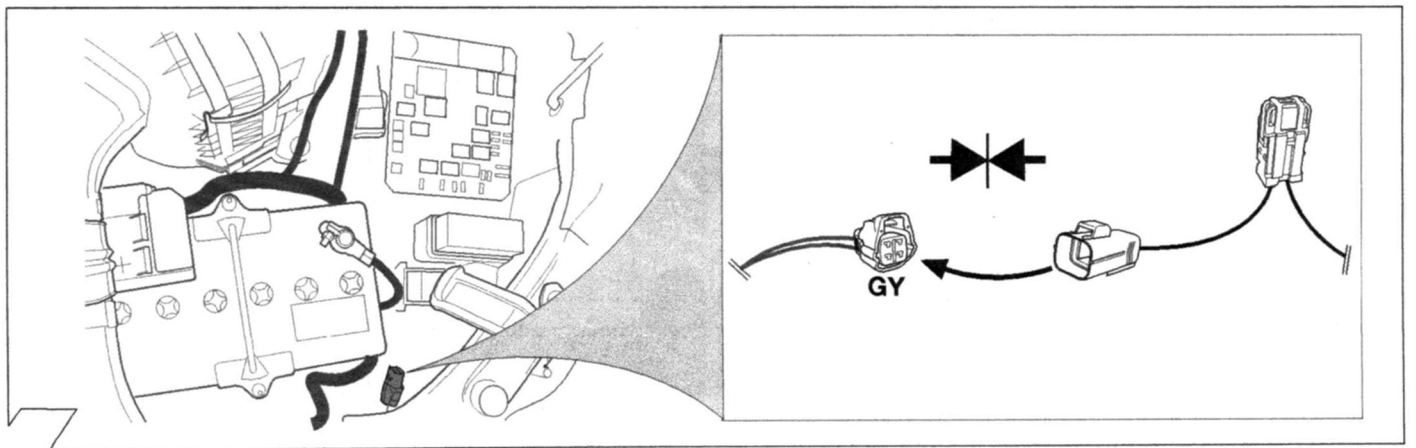
**15 AMP  
Fuse X1**



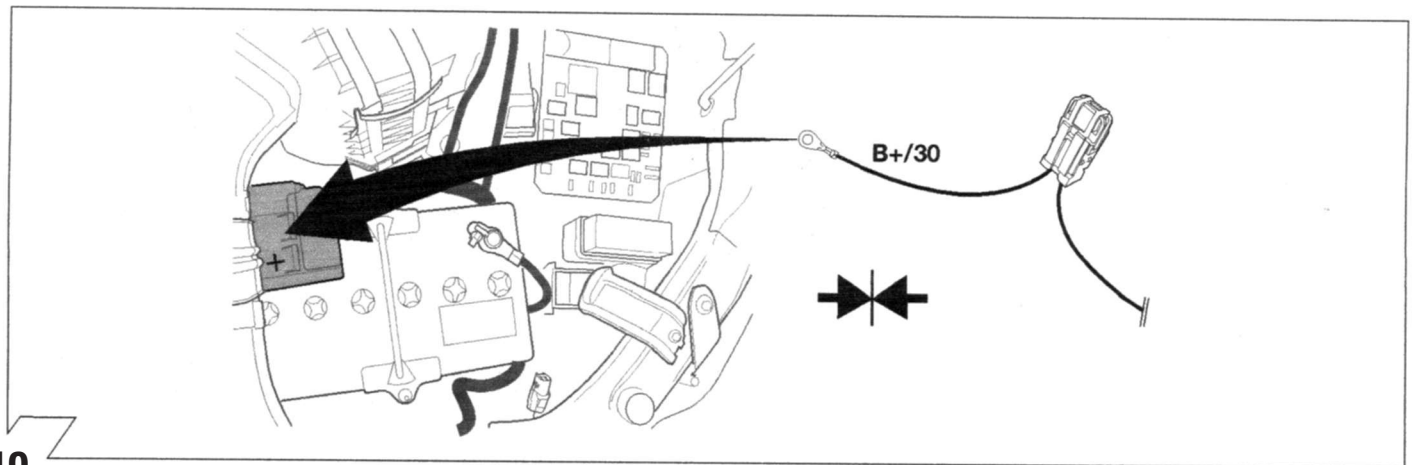




8



9



10

